



Anemostat® SUBMITTAL

1220 Watson Center Road • Carson, CA 90745-4206
(310) 835-7500 • FAX (310) 835-0448
air@anemostat.com • www.anemostat.com

Model **PF**
PATTERN FLAPS

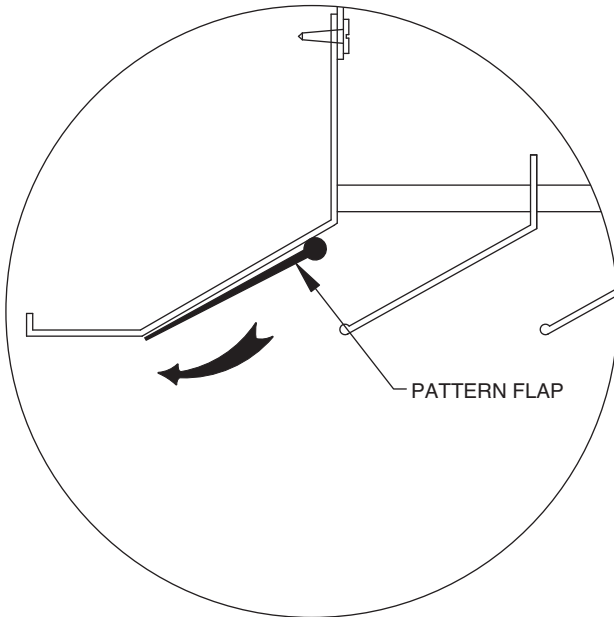
DIFFUSER ACCESSORIES

PRODUCT FEATURES

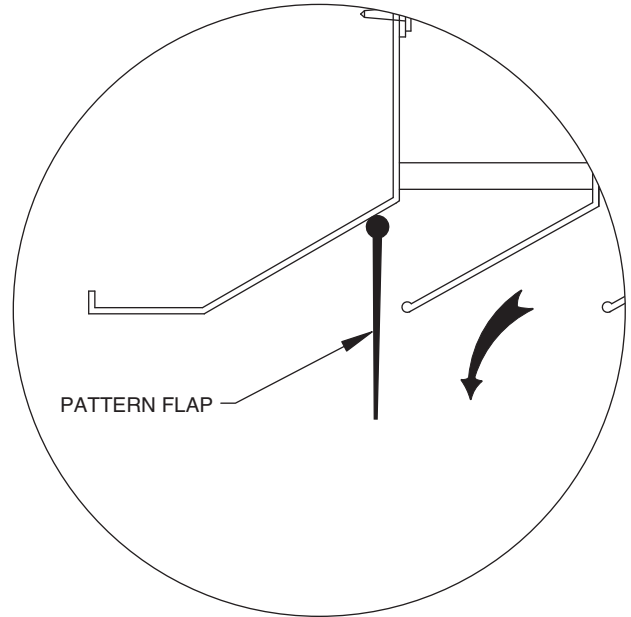
- Pattern Flaps for Type D Directional diffusers provide manual adjustment of the D Diffuser discharge pattern, from horizontal to vertical.
- Flexible Pattern Adjustment for both Heating and Cooling Applications.
- Factory installed, can be field installed.
- Flaps are applied only to sides discharging air.
- Available up to 24" x 24" D Diffuser Neck Sizes in 4 way pattern.

CONSTRUCTION DETAILS

Material: Extruded Aluminum



SECTION VIEW OF PATTERN FLAP
SET FOR HORIZONTAL PATTERN.



SECTION VIEW OF PATTERN FLAP
SET FOR VERTICAL PATTERN

All dimensions are in inches.

JOB NAME:

SUBMITTED BY: