

# SUBMITTAL SHEET

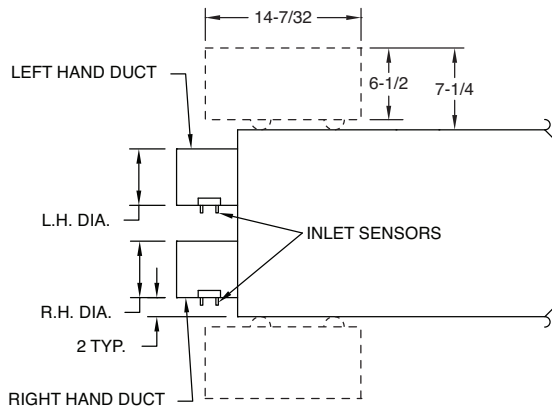
www.anemostat-hvac.com

## PRODUCT FEATURES

- Inlet sizes available: 5", 6", 8", 9", 10", 12", 14", & 16". Hot & cold inlet diameters can be different sizes.
- Inlet sensing only.
- 22 gauge zinc-coated steel, low leakage casing construction sealed during assembly
- Optional:
  - 20 gauge construction
  - Ultra Lo-Leak construction
- 1/2" dual density insulation (NFPA 90A & UL181).
- Optional:
  - 1" dual density insulation
  - 1/2"
  - 1" foil faced glass fiber insulation metal taped edges (ASTM C665)
  - 1" Fiber-Lok insulating system foil faced insulation with steel encapsulated edges (ASTM C665)
  - 3/8" fiber free closed cell foam insulation (NFPA 255, UL181)
  - No Insulation
- Slip and Drive cleat hot water coil discharge duct connection.
- Integral radiated noise shroud.
- Multi-Point center averaging Velocity Wing airflow sensor in each inlet for accuracy to +/- 5% of design flow.
- Balancing taps / Calibration chart included for field adjustment (where applicable).
- Hot inlet may be Right or Left Handed, Hot and Cold valves.
- Sequences available for Pneumatic, Electronic Analog, or Direct Digital Control systems.

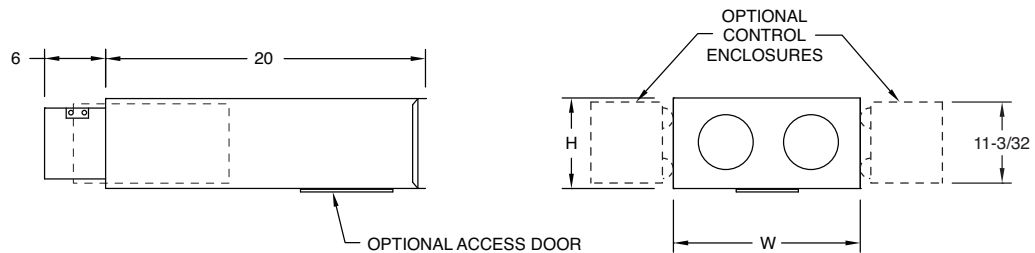
### Optional Accessories:

- Hinged 6 x 6 bottom access door
- Double Camlock 6 x 6 access door
- Unit mounting brackets
- Control Enclosures



INLET CAPACITY	
INLET DIA.	CFM*
5	50 - 290
6	80 - 470
7	105 - 610
8	150 - 870
9	190 - 1100
10	235 - 1355
12	310 - 1800
14	430 - 2470
16	585 - 3370

\* OR 0 FLOW



MODEL DU4			
BOX SIZE	MAX. INLET DIA.	BOX	
		W	H
A	6	22	10
B	8	22	10
C	10	26	12
D	12	30	14
E	14	34	16
F	16	38	18

All dimensions are in inches.

JOB NAME:

SUBMITTED BY: