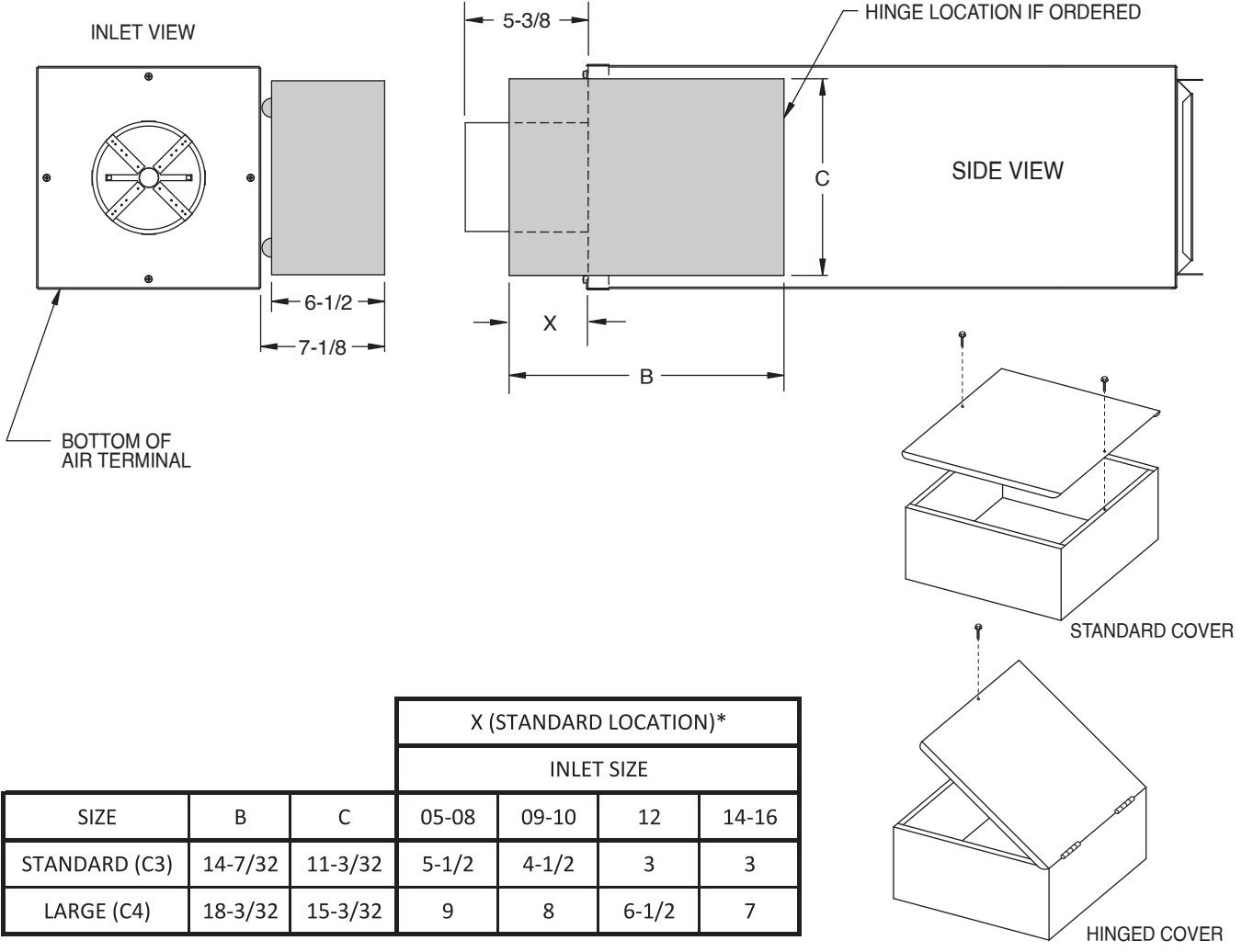


# SUBMITTAL SHEET

www.anemostat-hvac.com

<p><b>PRODUCT FEATURES</b></p> <ul style="list-style-type: none"> <li>•NEMA 1 type enclosure used with VAV boxes to house controls, actuators, and electrical accessories</li> <li>•Backplate stand-offs eliminate screw tips piercing box casing causing air leakage</li> <li>•Multiple electrical knock-out locations for convenience in connecting electrical services</li> </ul>	<p><b>ENCLOSURE SIZE:</b></p> <p><input type="checkbox"/> Standard Size (C3)</p> <p><input type="checkbox"/> Large Size (C4)</p> <p><b>MATERIAL:</b></p> <p><input type="checkbox"/> Steel, Galvanized</p> <p><input type="checkbox"/> Stainless Steel</p> <p><b>OPTIONS:</b></p> <p><input type="checkbox"/> Screw Attached Cover</p> <p><input type="checkbox"/> Hinged Cover</p>
--	---

*(RIGHT HAND CONTROL LOCATION SHOWN)*



SIZE	B	C	X (STANDARD LOCATION)*			
			INLET SIZE			
			05-08	09-10	12	14-16
STANDARD (C3)	14-7/32	11-3/32	5-1/2	4-1/2	3	3
LARGE (C4)	18-3/32	15-3/32	9	8	6-1/2	7

\* **NOTE:** The Control Enclosure location / position on the Air Terminal may vary based on the control components installed and their size. The enclosure is typically centered on the box height. Dimension X may reduce or increase.

All dimensions are in inches.

**JOB NAME:** \_\_\_\_\_ **SUBMITTED BY:** \_\_\_\_\_