

Anemostat®

SUBMITTAL

A MESTEK COMPANY

1220 Watson Center Road • Carson, CA 90745-4206
 (310) 835-7500 • FAX (310) 835-0448
 airhelp@anemostat.com • www.anemostat.com

Model **FREE FLO / PRO JET**
MITERED CORNERS
 FACE MITER 90°
 FREE FLO & PROJET
 MODELS "S" & "BF"

DIFFUSERS

PRODUCT FEATURES

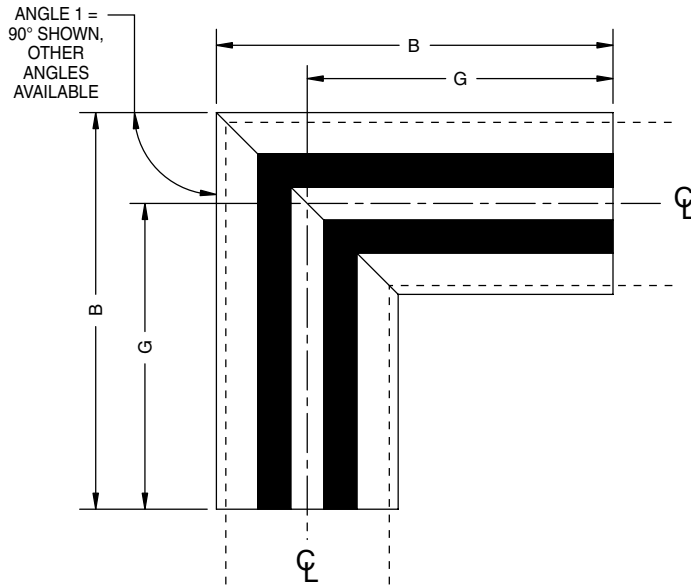
- Welded corner with standard 90° face miter
- Available to match any Free Flo or Pro Jet mounting frame style, slot quantity, slot width
- Retains similar appearance as adjoining units

CONSTRUCTION DETAILS

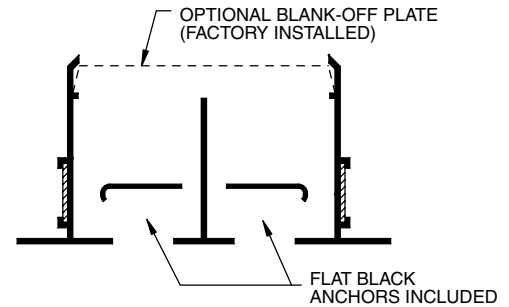
- Material:** Extruded Aluminum
 (same as Free Flo or Pro Jet diffusers and returns)
- Finish:** Arctic white outer flanges and center tees (**std**)
 Flat black anchors (**std**)
- Custom Colors (opt)

ACCESSORIES

- Blank-off plate (factory installed) coated steel



REFER TO SPECIFIC LINEAR DIFFUSER SUBMITTAL SHEET (CROSS SECTION) FOR CEILING OPENING



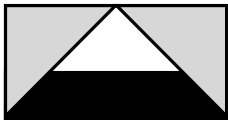
# Slots	90 Degree Face Miter									
	FF-S / FF-BF / PJ-S / PJ-BF									
	-100		-150		-200		-250		-300	
	B	G	B	G	B	G	B	G	B	G
1	11 3/4	10	12 1/4	10	12 3/4	10	13 1/4	10	13 1/2	10
2	12 3/4	10	13 3/4	10	18 3/4	14	19 3/4	14	20 1/2	14
3	17 3/4	14	19 1/4	14	20 3/4	14	28 1/4	20	29 1/2	20
4	18 3/4	14	20 3/4	14	28 3/4	20	30 3/4	20	32 1/2	20

- CONTACT FACTORY FOR MORE THAN 4 SLOTS, OTHER ANGLES
- REFER TO FREE FLO/PRO JET SUBMITTAL DETAIL FOR CROSS SECTION DIMENSIONS
- 2 SLOT SHOWN

All dimensions are in inches.

JOB NAME:

SUBMITTED BY:



Anemostat®

SUBMITTAL

A MESTEK COMPANY

1220 Watson Center Road • Carson, CA 90745-4206
 (310) 835-7500 • FAX (310) 835-0448
 airhelp@anemostat.com • www.anemostat.com

Model **FREE FLO / PRO JET**

MITERED CORNERS

FACE MITER 45°
 FREE FLO & PROJET
 MODELS "S" & "BF"

DIFFUSERS

PRODUCT FEATURES

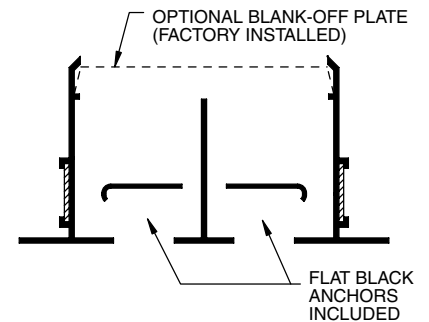
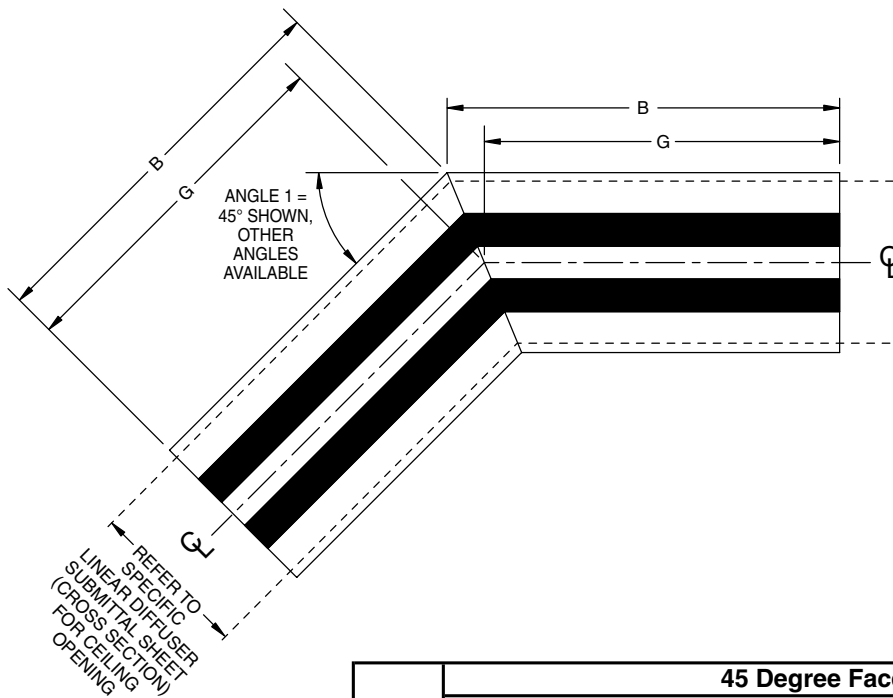
- Welded corner with standard 45° face miter
- Available to match any Free Flo or Pro Jet mounting frame style, slot quantity, slot width
- Retains similar appearance as adjoining units

CONSTRUCTION DETAILS

- Material:** Extruded Aluminum
 (same as Free Flo or Pro Jet diffusers and returns)
- Finish:** Arctic white outer flanges and center tees (**std**)
 Flat black anchors (**std**)
- Custom Colors (opt)

ACCESSORIES

- Blank-off plate (factory installed) coated steel



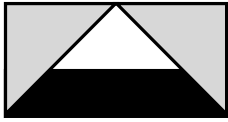
# Slots	45 Degree Face Miter									
	FF-S / FF-BF / PJ-S / PJ-BF									
	-100		-150		-200		-250		-300	
	B	G	B	G	B	G	B	G	B	G
1	10 3/4	10	10 15/16	10	11 3/16	10	11 3/8	10	11 1/2	10
2	11 3/16	10	11 9/16	10	16	14	16 7/16	14	16 3/4	14
3	15 9/16	14	16 3/16	14	16 13/16	14	23 7/16	20	23 15/16	20
4	16	14	16 13/16	14	23 5/8	20	24 1/2	20	25 3/16	20

- CONTACT FACTORY FOR MORE THAN 4 SLOTS, OTHER ANGLES
- REFER TO FREE FLO/PRO JET SUBMITTAL DETAIL FOR CROSS SECTION DIMENSIONS
- 2 SLOT SHOWN

All dimensions are in inches.

JOB NAME:

SUBMITTED BY:



Anemostat®

SUBMITTAL

A MESTEK COMPANY

1220 Watson Center Road • Carson, CA 90745-4206
 (310) 835-7500 • FAX (310) 835-0448
 airhelp@anemostat.com • www.anemostat.com

Model **FREE FLO / PRO JET**
MITERED CORNERS
 FACE MITER 90°
 FREE FLO & PROJCT
 MODEL "CM"

DIFFUSERS

PRODUCT FEATURES

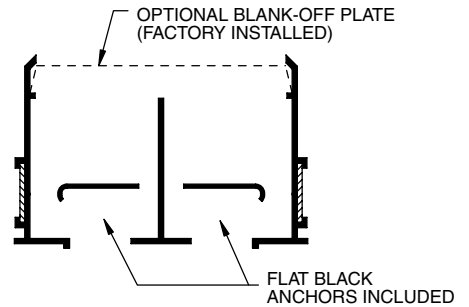
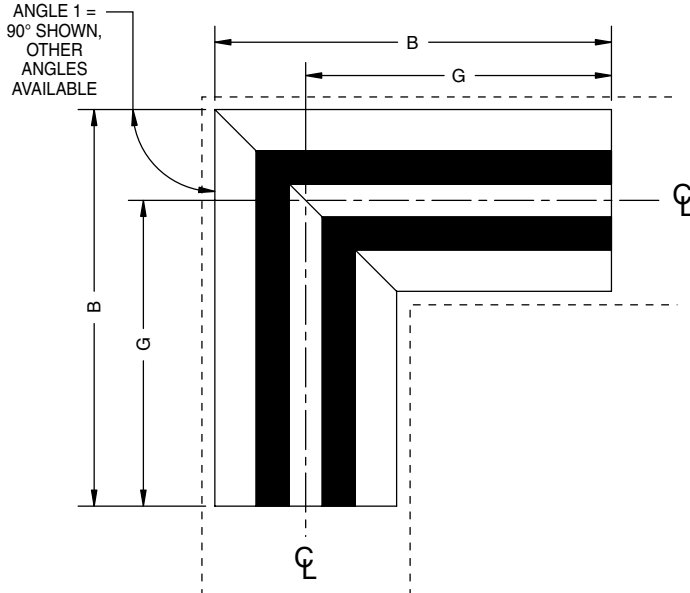
- Welded corner with standard 90° face miter
- Available to match any Free Flo or Pro Jet mounting frame style, slot quantity, slot width
- Retains similar appearance as adjoining units

CONSTRUCTION DETAILS

- Material:** Extruded Aluminum
 (same as Free Flo or Pro Jet diffusers and returns)
- Finish:** Arctic white outer flanges and center tees (**std**)
 Flat black anchors (**std**)
- Custom Colors (opt)

ACCESSORIES

- Blank-off plate (factory installed)
 coated steel



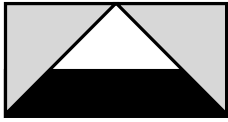
# Slots	90 Degree Face Miter									
	FFCM / PJCM									
	-100		-150		-200		-250		-300	
	B	G	B	G	B	G	B	G	B	G
1	11 3/16	10	11 5/8	10	12 3/16	10	12 11/16	10	13 3/16	10
2	12 3/16	10	13 1/8	10	18 3/16	14	19 3/16	14	20 3/16	14
3	17 3/16	14	18 5/8	14	20 3/16	14	27 11/16	20	29 3/16	20
4	18 3/16	14	20 1/8	14	28 3/16	20	30 3/16	20	32 3/16	20

- CONTACT FACTORY FOR MORE THAN 4 SLOTS, OTHER ANGLES
- REFER TO FREE FLO/PRO JET SUBMITTAL DETAIL FOR CROSS SECTION DIMENSIONS
- 2 SLOT SHOWN

All dimensions are in inches.

JOB NAME:

SUBMITTED BY:



Anemostat®

SUBMITTAL

A MESTEK COMPANY

1220 Watson Center Road • Carson, CA 90745-4206
 (310) 835-7500 • FAX (310) 835-0448
 airhelp@anemostat.com • www.anemostat.com

Model **FREE FLO / PRO JET**
MITERED CORNERS
 FACE MITER 45°
 FREE FLO & PROJCT
 MODEL "CM"

DIFFUSERS

PRODUCT FEATURES

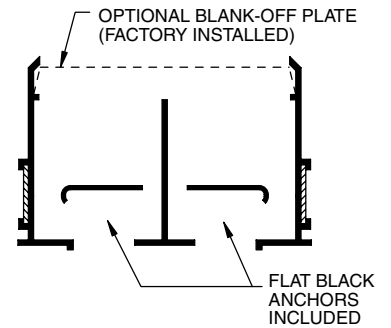
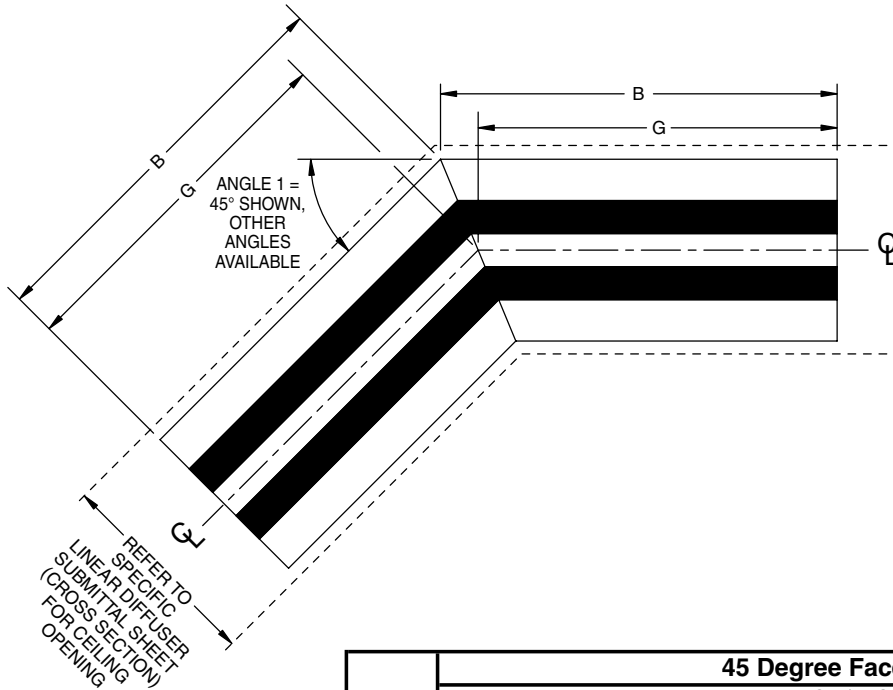
- Welded corner with standard 45° face miter
- Available to match any Free Flo or Pro Jet mounting frame style, slot quantity, slot width
- Retains similar appearance as adjoining units

CONSTRUCTION DETAILS

- Material:** Extruded Aluminum
 (same as Free Flo or Pro Jet diffusers and returns)
- Finish:** Arctic white outer flanges and center tees (**std**)
 Flat black anchors (**std**)
- Custom Colors (opt)

ACCESSORIES

- Blank-off plate (factory installed)
 coated steel



# Slots	45 Degree Face Miter									
	FFCM / PJCM									
	-100		-150		-200		-250		-300	
	B	G	B	G	B	G	B	G	B	G
1	10 1/2	10	10 11/16	10	10 15/16	10	11 1/8	10	11 5/16	10
2	10 15/16	10	11 5/16	10	15 3/4	14	16 3/16	14	16 9/16	14
3	15 5/16	14	15 15/16	14	16 9/16	14	23 3/16	20	23 13/16	20
4	15 3/4	14	16 9/16	14	23 7/16	20	24 1/4	20	25 1/16	20

- CONTACT FACTORY FOR MORE THAN 4 SLOTS, OTHER ANGLES
- REFER TO FREE FLO/PRO JET SUBMITTAL DETAIL FOR CROSS SECTION DIMENSIONS
- 2 SLOT SHOWN

All dimensions are in inches.

JOB NAME:

SUBMITTED BY: