

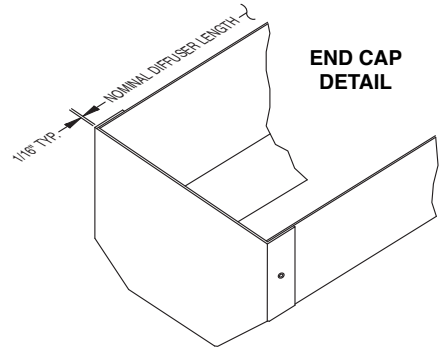
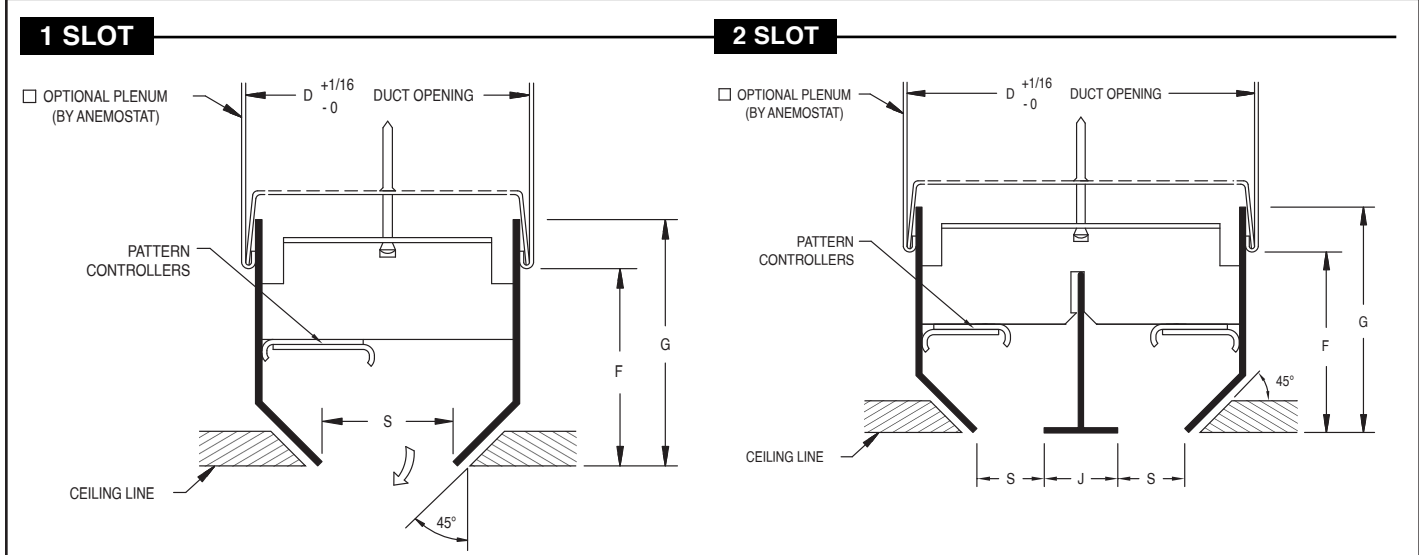
# SUBMITTAL SHEET

www.anemostat-hvac.com

2" SLOT WIDTH

**CONCEALED / BORDERLESS FRAME (V)**

<b>PRODUCT FEATURES</b> <ul style="list-style-type: none"> <li>• Concealed frame for use with tile, masonry, &amp; millwork surfaces. For GWB applications, use Border BF (Mud-In Frame)</li> <li>• Adjustable volume and pattern controllers</li> <li>• Hardware package includes duct mounting brackets &amp; screws</li> <li>• Anemostat Model AD plenums are ordered and shipped separate from the diffusers (plenum Length to order = Diffuser Nominal Size)</li> <li>• Nominal Length is the order size</li> <li>• Flush end caps are riveted to diffuser</li> </ul>	<b>CONSTRUCTION FEATURES</b> <b>Material:</b> Extruded Aluminum  <b>Finish:</b> <ul style="list-style-type: none"> <li><input type="checkbox"/> Arctic White Outer Frame (Black Pattern/Volume Controllers)</li> <li><input type="checkbox"/> Gloss Black - Outer Frame &amp; Pattern / Volume Controllers</li> <li><input type="checkbox"/> Custom Color : _____</li> </ul>	<b>SUPPLY MODELS</b> <ul style="list-style-type: none"> <li><input type="checkbox"/> <b>FF-V-200</b> 2" Slot Width</li> </ul> <b>RETURN MODELS (No Internal Controllers)</b> <ul style="list-style-type: none"> <li><input type="checkbox"/> <b>FFR-V-200</b> 2" Slot Width</li> </ul> <b>OPTIONS</b> <ul style="list-style-type: none"> <li><input type="checkbox"/> <b>AD</b> Engineered Air Distribution Plenum</li> <li><input type="checkbox"/> <b>LEC</b> Linear Egg Crate</li> <li><input type="checkbox"/> <b>LED</b> Linear Equalizing Deflector</li> </ul>
--	---	--



MODEL	SLOT WIDTH S	F	G	1 -SLOT		2 - SLOT	
				D	D	D	J
FF-V-200	2	1-25/32 TO 2-5/32	2-5/8	4-5/16	8-5/16		2

All dimensions are in inches.

<b>JOB NAME:</b>	<b>SUBMITTED BY:</b>
------------------	----------------------