

SUBMITTAL SHEET

PRODUCT FEATURES

- Designed for use with 9/16" Tegular suspended grid systems
- Standard lengths = 24", 30", 36", 48", 60", 72" (custom lengths available)
- Includes plenum mounting yokes

CONSTRUCTION DETAILS

- Extruded aluminum, adjustable linear slot diffuser
- Finish:
 - Arctic White Border and Center Tees, Black Volume / Pattern Controllers
 - Optional Anemostat Color
 - Custom Color Match

MODELS

Supply Diffusers

- FF-T9-200 2" Slot, 9/16" Tegular Ceiling
- FF-T9-250 2-1/2" Slot, 9/16" Tegular Ceiling
- FF-T9-300 3" Slot, 9/16" Tegular Ceiling

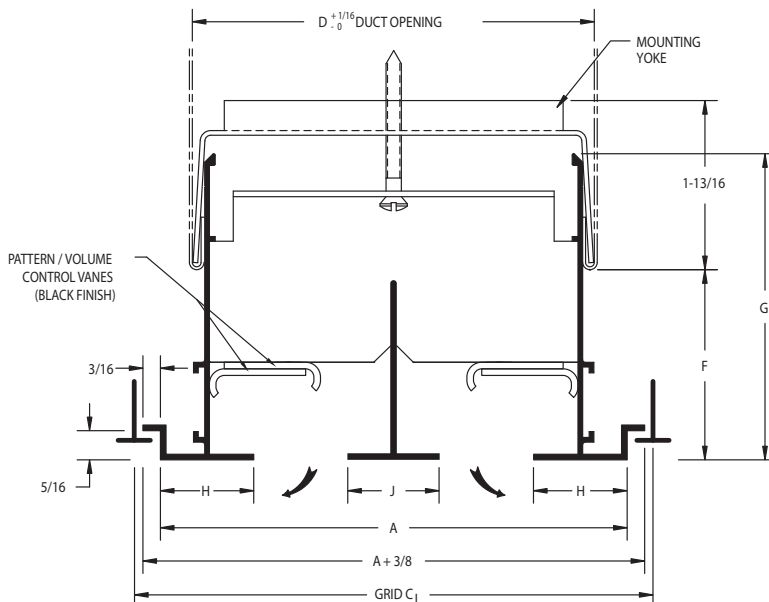
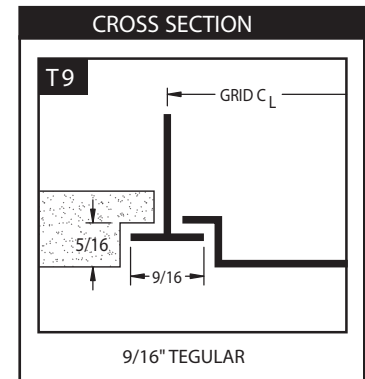
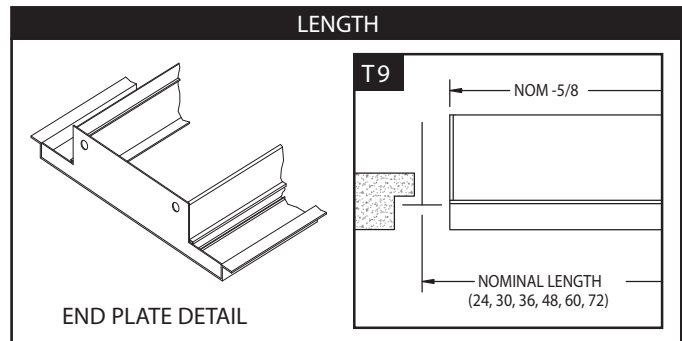
Returns (No Volume / Pattern Controllers)

- FFR-T9-200 2" Slot, 9/16" Tegular Ceiling
- FFR-T9-250 2-1/2" Slot, 9/16" Tegular Ceiling
- FFR-T9-300 3" Slot, 9/16" Tegular Ceiling

FF-T9-200 • 2" SLOT WIDTH							
# SLOTS	Cross Section Grid CL	A	D	J	F	G	H
1	6-15/16	6-5/16	4-5/16	-	1-7/8 TO 2-1/4	2-23/32	2-5/32
2	10-15/16	10-5/16	8-5/16	2			

FF-T9-250 • 2-1/2" SLOT WIDTH							
# SLOTS	Cross Section Grid CL	A	D	J	F	G	H
1	7-7/16	6-13/16	5-5/16	-	2-11/32 TO 2-23/32	3-3/16	2-5/32
2	12-7/16	11-13/16	10-5/16	2-1/2			

FF-T9-300 • 3" SLOT WIDTH							
# SLOTS	Cross Section Grid CL	A	D	J	F	G	H
1	7-15/16	7-5/16	6-5/16	-	2-15/32 TO 2-27/32	3-5/16	2-5/32
2	13-15/16	13-5/16	12-5/16	3			



All dimensions are in inches.

JOB NAME:

SUBMITTED BY: