

# SUBMITTAL SHEET

www.anemostat-hvac.com

Model **FF-D1**

**FREE FLO™**  
**ARCHITECTURAL**  
**LINEAR DIFFUSER**

9/16" NARROW SLOT  
 1", 1-1/2" SLOT WIDTHS

### PRODUCT FEATURES

- Designed for use with 9/16" Narrow Slot suspended grid systems
- Standard lengths = 24", 30", 36", 48", 60", 72" (custom lengths available)
- Includes plenum mounting yokes

### CONSTRUCTION DETAILS

- Extruded aluminum, adjustable linear slot diffuser
- Finish:**
  - Arctic White Border and Center Tees, Black Volume / Pattern Controllers
  - Optional Anemostat Color
  - Custom Color Match

### MODELS

#### Supply Diffusers

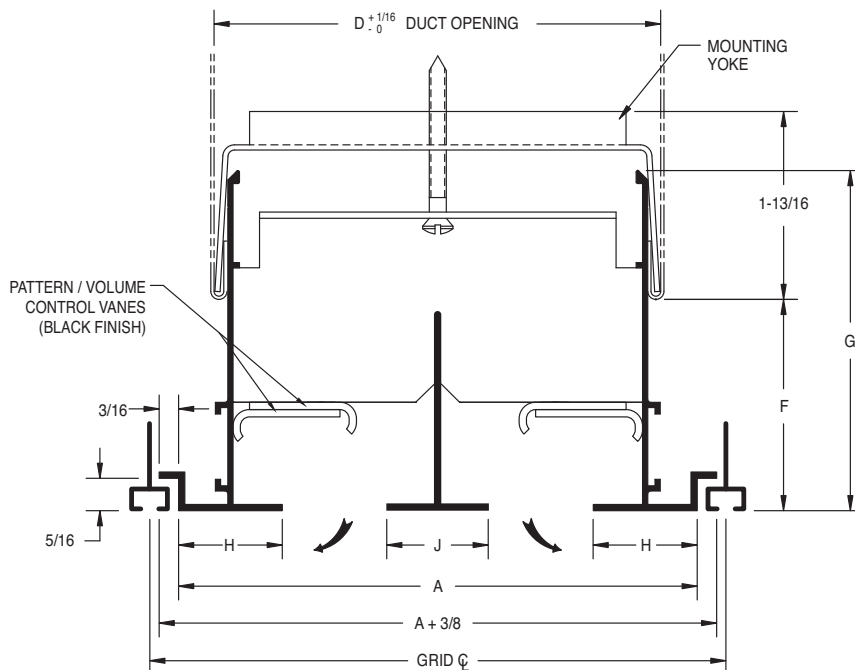
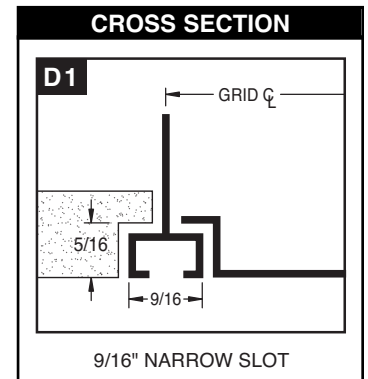
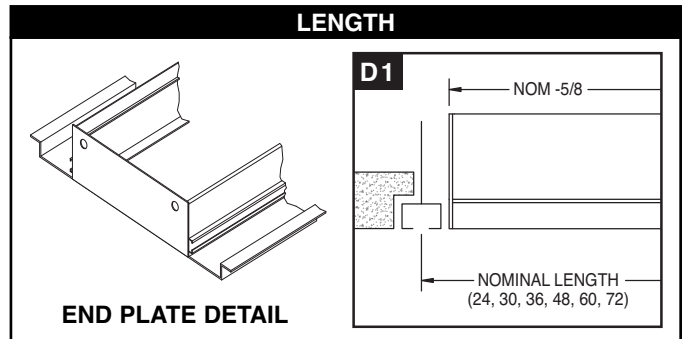
- FF-D1-100** 1" Slot, 9/16" Narrow Slot Ceiling
- FF-D1-150** 1-1/2" Slot, 9/16" Narrow Slot Ceiling

#### Returns (No Volume / Pattern Controllers)

- FFR-D1-100** 1" Slot, 9/16" Narrow Slot Ceiling
- FFR-D1-150** 1-1/2" Slot, 9/16" Narrow Slot Ceiling

FF-D1-100 • 1" SLOT WIDTH							
# SLOTS	Cross Section Grid CL	A	D	J	F	G	H
1	4-1/2	3-7/8	2-5/16	-	1-3/8 to 1-3/4	2-3/16	1-7/16
2	6-1/2	5-7/8	4-5/16	1			
3	8-1/2	7-7/8	6-5/16	1			
4	10-1/2	9-7/8	8-5/16	1			

FF-D1-150 • 1-1/2" SLOT WIDTH							
# SLOTS	Cross Section Grid CL	A	D	J	F	G	H
1	5-1/2	4-7/8	3-5/16	-	1-27/32 to 2-7/32	2-11/16	1-11/16
2	8-1/2	7-7/8	6-5/16	1-1/2			
3	11-1/2	10-7/8	9-5/16	1-1/2			
4	14-1/2	13-7/8	12-5/16	1-1/2			



All dimensions are in inches.

JOB NAME:

SUBMITTED BY: