

# Anemostat®

## SUBMITTAL

A MESTEK COMPANY

1220 Watson Center Road • Carson, CA 90745-4206  
 (310) 835-7500 • FAX (310) 835-0448  
 air@anemostat.com • www.anemostat.com



Model **FE30**  
**HINGED RETURN FILTER GRILLE**  
**ENHANCED CAPACITY**  
 45° DEFLECTION  
 3/4" BLADE SPACING  
 SURFACE MOUNTED

## GRILLES & REGISTERS

### PRODUCT FEATURES

- 3/4" Louver Spacing
- Piano Hinge Construction
- 1/4-Turn Latch(es). Qty=2 on size 24" & up
- Concealed fastening thru neck of grille
- Core deflection opposite hinge side as shown (default, as applicable)
- Louvers parallel to short or long dimension
- Sizes 6" x 4" to 48" x 48" maximum single piece construction
- Recommended Filter Size (Actual) = (Nom Width - 1/2") x (Nom Height - 1/2")

### CONSTRUCTION DETAILS

#### Material:

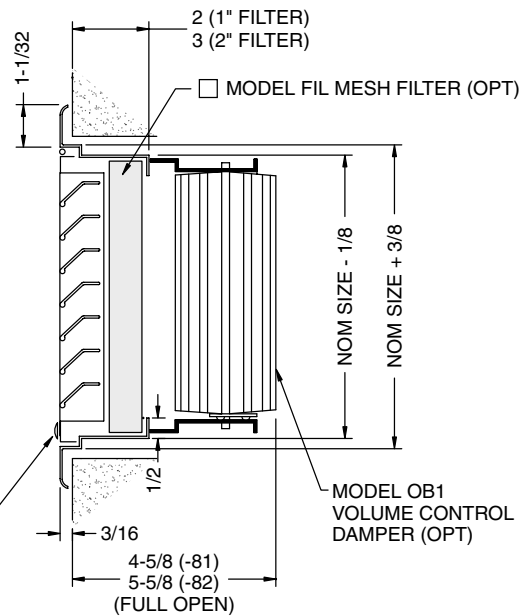
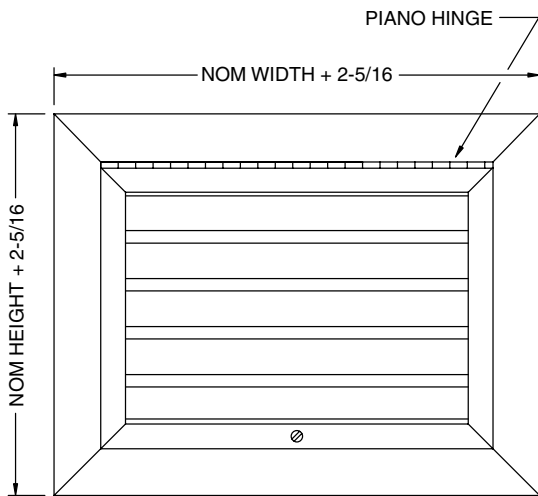
Aluminum

#### Finish:

Arctic White

Satin Polish

Custom Color \_\_\_\_\_



MODEL	FILTER SIZE	TYPE	BLADE DIR.	DEFL.	DUCT (W X H)
<b>FE30</b>	<b>1L</b>	<b>H</b>	<b>L</b>	<b>45</b>	<b>24.00 / 12.00</b>
3/4" Blade Spacing	1 1" Filter 2 2" Filter 1S 1" Filter, Hinge on Short Dim. 1L 1" Filter, Hinge on Long Dim. 2S 2" Filter, Hinge on Short Dim. 2L 2" Filter, Hinge on Long Dim.	Hinged Core	- N/A (Sq.) L Long Blade S Short Blade	45°	06.00 to 48.00 6" up to 48"

Dimensions are in inches (millimeters).

JOB NAME:

SUBMITTED BY: