

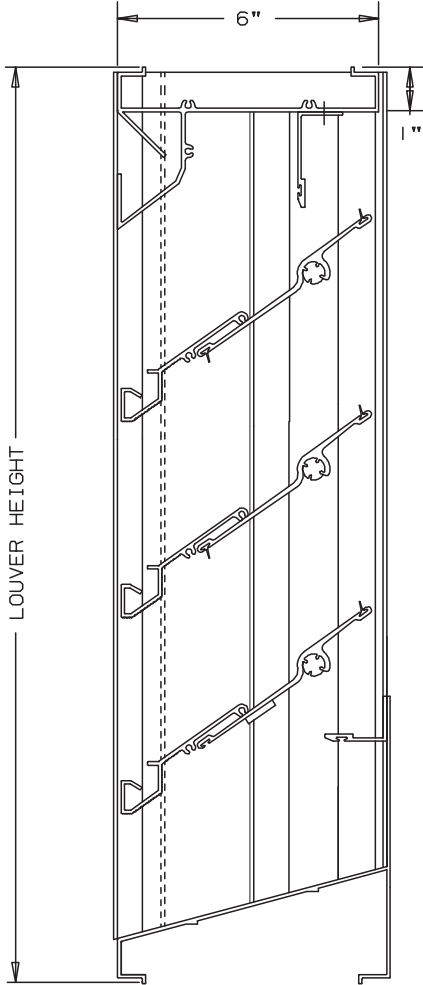


Anemostat®
AIR DISTRIBUTION

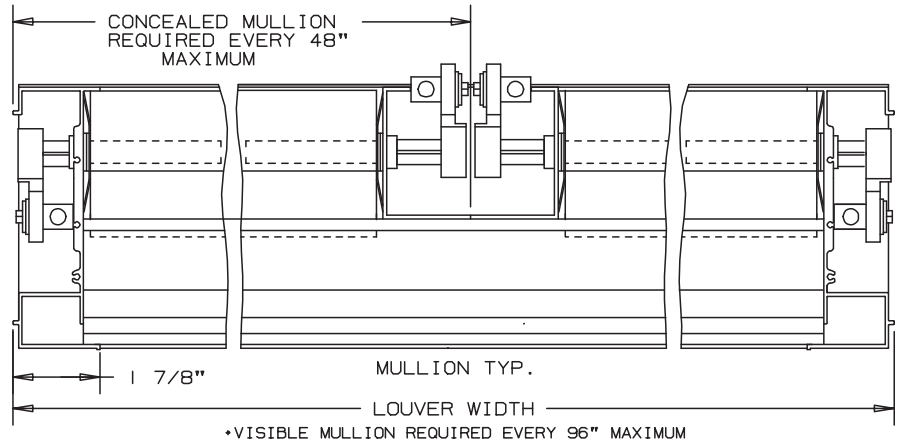
MODEL **LA680DC**

EXTRUDED ALUMINUM LOUVERS
COMBINATION ADJUSTABLE AND STATIONARY
6" DEEP - CONCEALED MULLION

35° STATIONARY DRAIN BLADES - CONCEALED MULLION TYPE



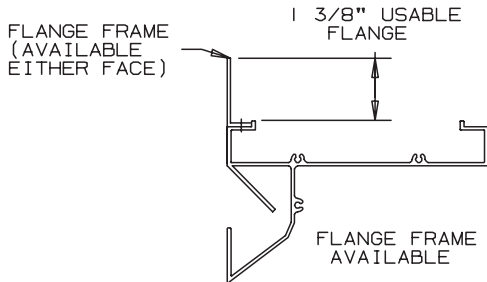
NOT TO SCALE



*VISIBLE MULLION REQUIRED EVERY 96" MAXIMUM

SPECIFICATIONS

FRAME AND STATIONARY BLADE: EXTRUDED ALUMINUM 6063-T6/T52 ALLOY, FRAME IS .080" THK., BLADE IS .080" THK. ON 4 1/2" CENTERS.
 ADJUSTABLE BLADE: EXTRUDED ALUMINUM 6063-T6/T52 ALLOY, .125" THK.
 FACE OF LOUVER: FULL WIDTH SILL WITH HEAD AND BLADES CONTAINED WITHIN THE JAMBS, CONCEALED MULLION WITH CONTINUOUS LENGTH STATIONARY BLADE.
 LINKAGE: EXTRUDED ALUMINUM, CONCEALED IN CHANNEL OUT OF AIRSTREAM. THE TRUNNIONS, WHICH ROTATE IN CELCON BEARINGS ARE 1/2" DIAMETER, ZINC PLATED MACHINED STEEL. THE TRUNNION IS LOCKED TO THE 5/16" DIA. ALUMINUM LINKAGE ROD BY A 1/4-20 SET SCREW WITH AN EPOXY LOCKING PATCH.
 BEARINGS: CELCON BEARING MATERIAL SO THERE WILL BE NO METAL TO METAL FRICTION.
 SHAFTS: 1/2" DIA. ALUMINUM "PIN-LOCK" EXTRUSION.
 SEALS: EXTRUDED SILICONE RUBBER SEAL ON BLADE EDGE. FOAM ON BOTTOM BLADE & POLYCARBONATE JAMB SEALS STANDARD STAINLESS STEEL AT JAMB REQUIRED ON PAINTED LOUVERS.
 SCREENS: WHEN INDICATED, IN A REMOVABLE FRAME.
 BIRD SCREEN - 1/2" FLATTENED ALUMINUM, .051" THK. OR - 1/2" SQ. MESH, INTERMEDIATE DOUBLE-CRIMPED ALUMINUM WIRE, .063 DIA. OR - 18/16 MESH, .011" DIA. ALUMINUM WIRE, INSECT SCREEN.
 FINISH: MILL.
 LOUVER SIZES: 96" WIDE x 72" HIGH MAXIMUM SINGLE PANEL SIZE.



OPTIONAL

- * OTHER SCREENS
- * ARCHITECTURAL FINISHES
- * ACTUATORS (ELECTRIC, PNEUMATIC, MANUAL, ETC.)

NOMINAL DEDUCTIONS WILL BE MADE TO THE OPENING SIZE GIVEN.

ITEM	QTY.	OPENING SIZE		LOUVER SIZE		MULL	SCREENS	
		WIDTH	HEIGHT	WIDTH	HEIGHT		TYPE	LOC



Anemostat Air Distribution
 1220 E. Watson Center Road
 Carson, CA 90745
 310-835-7500 • air@anemostat.com
 www.anemostat-hvac.com

AGENT : _____

ARCH. /ENG. : _____
 CONTR. : _____
 PROJECT : _____
 EDR: _____ ECN: _____ JOB: _____
 DATE: _____ DWN. : _____ DWG. : _____