

# SUBMITTAL SHEET

www.anemostat-hvac.com

Model **PGQ-22**  
PARAGON DIFFUSER  
1/8" Plaque Drop  
**Low Flow Supply**  
Nominal Size 24 X 24

### PRODUCT FEATURES

- Supply air diffuser designed for low air flow rates
- Removable inner plaque assembly
- Optional volume control damper, accessible from room side

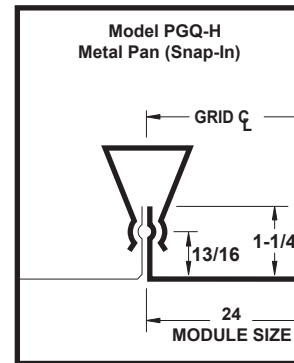
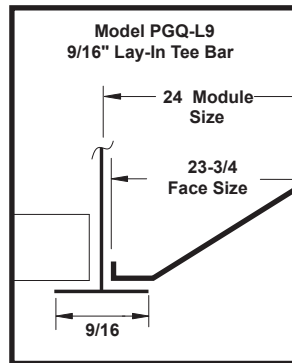
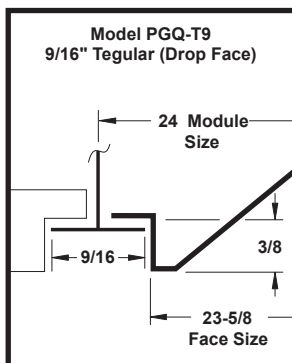
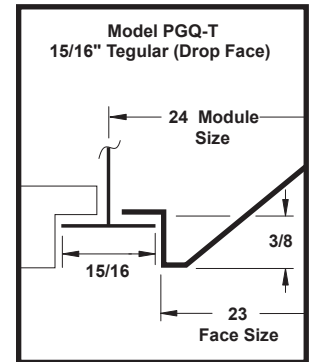
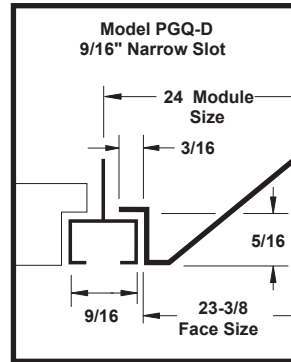
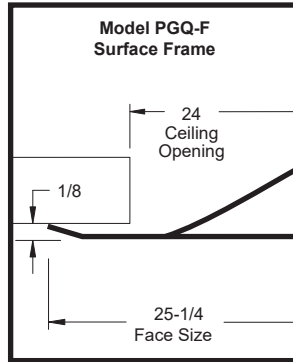
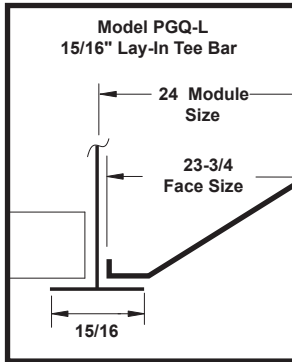
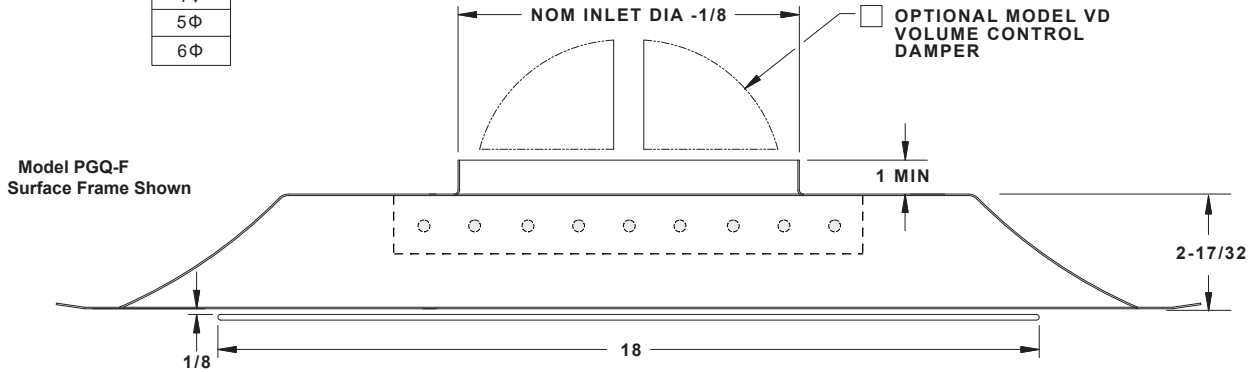
### CONSTRUCTION DETAILS

- Material: Cold Rolled Steel (std)
- Aluminum (opt)
  - 304 Stainless Steel (opt)
- Finish: White (std)
- Custom Colors (opt)

### MODELS

- PGQ-D-22 9/16" Narrow Slot
- PGQ-L-22 15/16" Lay-In T-Bar
- PGQ-F-22 Surface Mount
- PGQ-H-22 Metal Pan (Snap-In)
- PGQ-T-22 15/16" Tegular
- PGQ-T9-22 9/16" Tegular
- PGQ-L9-22 9/16" Lay-In T-Bar

INLET SIZES
4Φ
5Φ
6Φ



All dimensions are in inches.

JOB NAME:

SUBMITTED BY: