

SUBMITTAL SHEET

www.anemostat-hvac.com

PRODUCT FEATURES

- Plaque style filtered ceiling supply diffuser w/ integral filter rack
- Nom 2" thick throw-away filter (shipped loose for field installation)
- Gasketed access door for filter replacement - secured with phillips head screws
- Removable inner plaque assembly
- Optional blankoff baffles, field installed

CONSTRUCTION DETAILS

Diffuser Material: Steel (std)

- Aluminum (opt)
- 304 Stainless Steel (opt)

Diffuser Finish: White (std)

- Custom Colors (opt)

Filter Box: Galvd Steel (std)

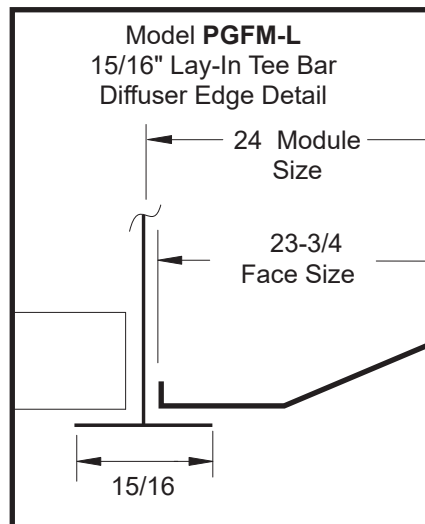
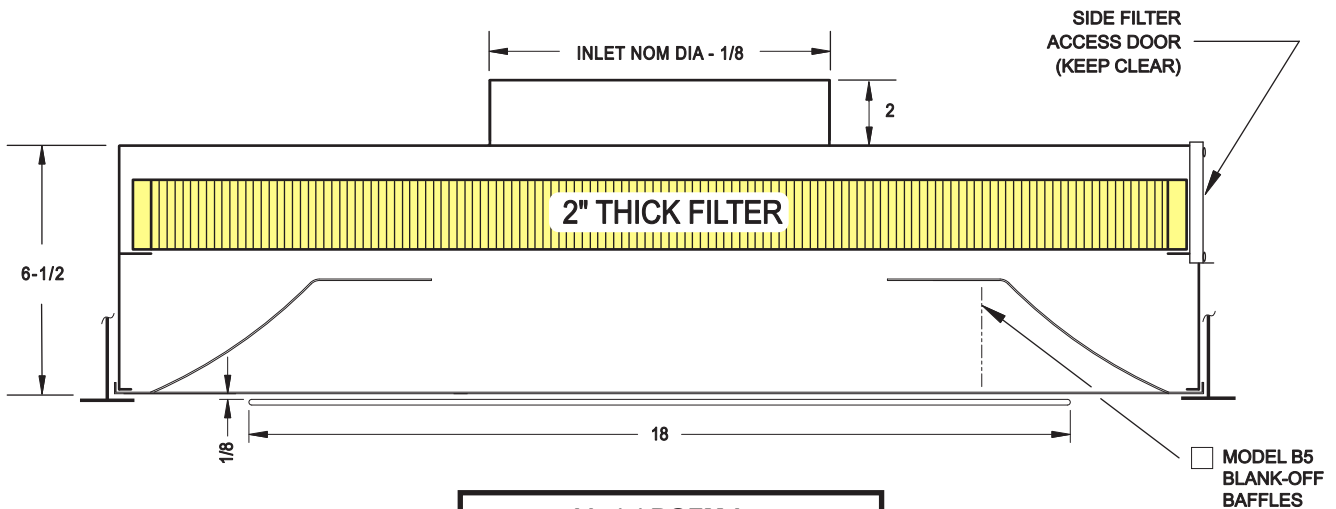
MODELS

PGFM-L-22 15/16" Lay-In T-Bar

FILTERS (THROW-AWAY)

- 2" MERV 8
- 2" MERV 13
- 2" MERV 14

AVAILABLE INLET SIZES	
4 Ø	10 Ø
5 Ø	12 Ø
6 Ø	14 Ø
8 Ø	15 Ø



All dimensions are in inches.

JOB NAME:

SUBMITTED BY: