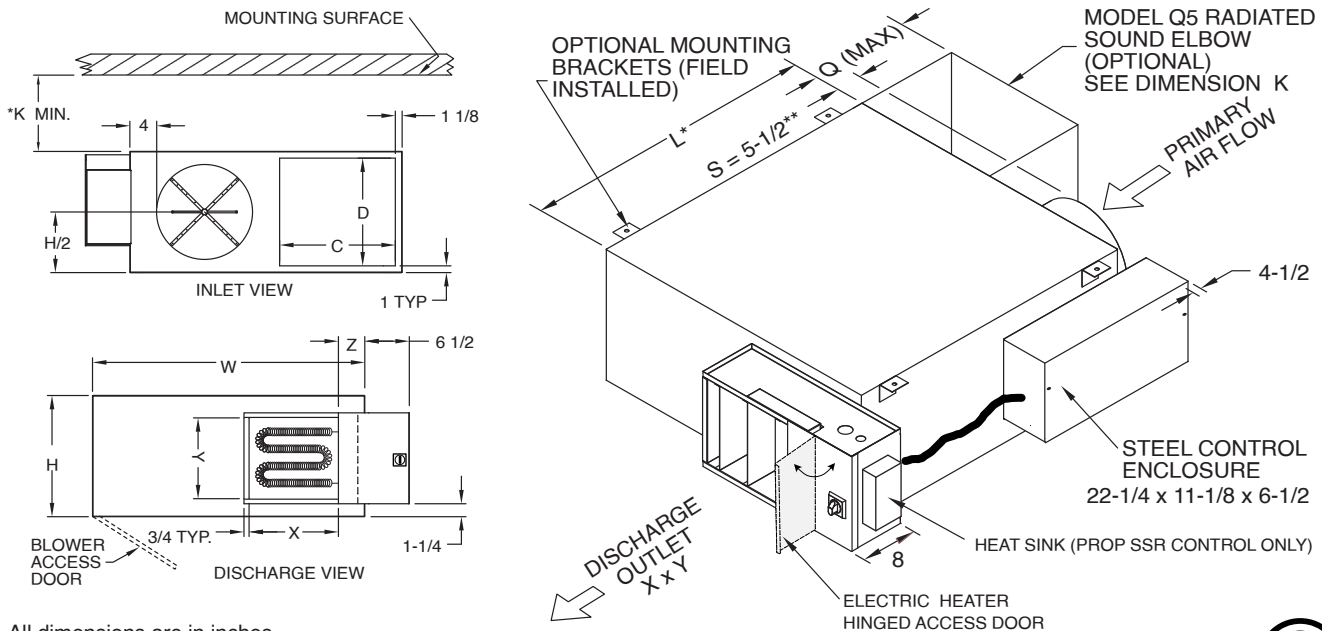


SUBMITTAL SHEET

www.anemostat-hvac.com

PRODUCT FEATURES

- AHRI 880 certified / ETL listed (UL 1995).
- Optional: Q5 Induction Port Sound Elbow
- Single point electrical connection.
- Swing-down blower access panel:
Size 1 cabinet 8" vertical clearance for removal, 15-1/2" for 90 degree swing
Size 2 cabinet 11" vertical clearance for removal, 17-1/2" for 90 degree swing
Size 3 cabinet 10" vertical clearance for removal, 21-1/2" for 90 degree swing
- Steel control enclosure Screw attached cover Hinged front cover
- 3 speed permanent split capacitor motor with thermal overload protection.
- Solid state speed controller with minimum voltage stop.
- Rigid 20 gauge zinc-coated steel construction.
- 1" dual density insulation (NFPA 90A & UL 181).
- Optional:
 1/2" 1" foil-faced glass fiber insulation – metal taped edges (ASTM C665)
 Double wall construction (22 gauge steel & 1/2" insulation is standard)
 Lo-Temp casing construction (1" Insulation is standard)
 3/8" fiber-less closed cell foam insulation (NFPA255, UL181)
 No insulation
- 90° inlet damper with leak resistant perimeter seal limiting leakage to <1% of max rated flow at 3" w.g. inlet static pressure.
- Multi-Point center averaging Velocity Wing air flow sensor for accuracy to ± 5% of design flow. Flow taps for air flow measurement provided with factory mounted controls. 3/8" OD sensor lines when controls are field installed.
- Accepts flanged discharge duct connection.
- Left hand control and heater cabinet position.
- Electric coil includes: Nickel-chrome resistance wire, auto reset primary thermal cutout, fan interlock relay (proof of flow), unfused 24vac Class II transformer as required, PE switch or magnetic de-energizing contactor per step.
- Optional: Supply Power 120v,1ø 208v,1ø 240v,1ø 277v,1ø
 208v,3ø 480v,3ø (4 wire WYE standard)
- Door interlocking disconnect switch, non-fused
- Power fusing (fuses & fuse blocks)
- Proof of air flow
 Fan interlock
 Air flow switch
- Manual reset secondary thermal cutout (load carrying)
- SSR modulating controller
- Optional Accessories:
 1" Throw-away filter & filter rack
 Unit mounting brackets (field installed)
 Fan relay, 24vac (for use with DDC controls)
 Electric actuator, 24vac 3-wire tri-state
- Control System Electronic Analog Digital Pneumatic Electric
 None – No controls
- Control Package _____ Field Installed Controls



All dimensions are in inches.

Model QPTE Size	Cabinet Size	Motor H.P.	Nominal Inlet Diameter	H	W	L	Min. K	Discharge			Induction			Est. Wt. LB
								X	Y	Z	C	D	Q	
11706, 11707, 11708, 11709	1	1/6	6,7,8,9	15	34	30	6	11-1/2	11	3	13	12	18	108
12506, 12507, 12508, 12509	1	1/4	6,7,8,9	15	34	30	6	11-1/2	11	3	13	12	18	111
21709, 21710, 21712	2	1/6	9,10,12	18	40	34	6	14	12	3	17	16	18	123
22509, 22510, 22512	2	1/4	9,10,12	18	40	34	6	14	12	3	17	16	18	128
25009, 25010, 25012	2	1/2	9,10,12	18	40	34	6	14	12	3	17	16	18	133
35012, 35014, 35016	3	1/2	12,14,16	20	46	40	8	19	16	2-1/4	21	18	20	167
37512, 37514, 37516	3	3/4	12,14,16	20	46	40	8	19	16	2-1/4	21	18	20	172
31012, 31014, 31016	3	1	12,14,16	20	46	40	8	19	16	2-1/4	21	18	20	179



- Notes:**
- Weights are an estimation and will vary based on selection options, insulation type, etc.
 - Add 1" to L dimension and **reduce dimension S to 4 1/2" for double wall and low temperature option.
 - * K dimension required with optional Q5 sound elbow

JOB NAME: _____

SUBMITTED BY: _____