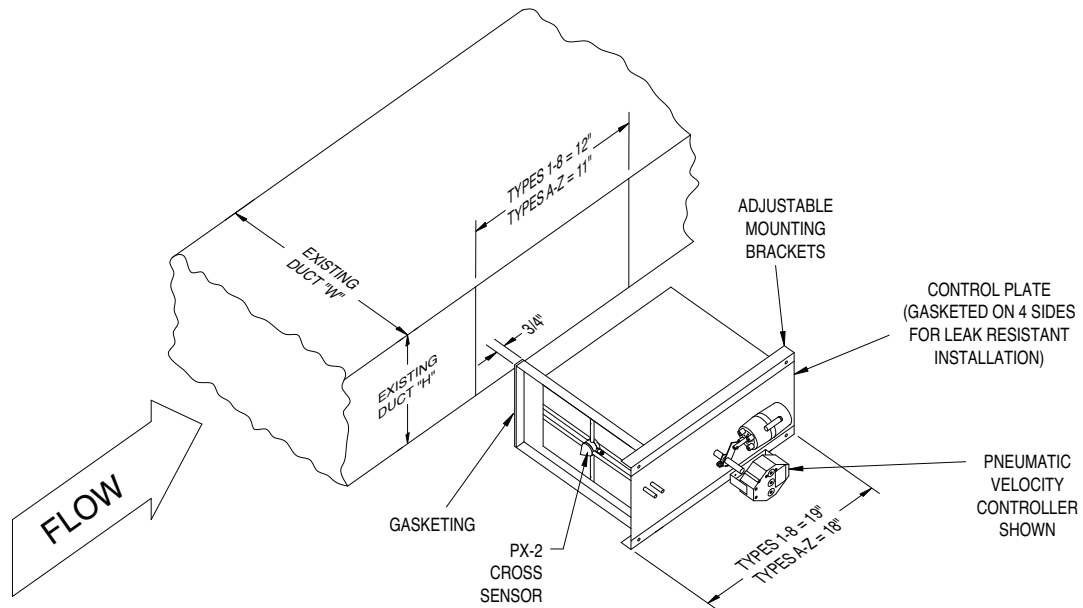




- Air flow control thru square / rectangular duct
- Pneumatic, Analog Electronic, or Direct Digital Controls



DUCT SIZE		RF-11 SIZE	CFM RANGE	
MIN HEIGHT	MIN WIDTH		MIN	MAX
4	6	1H	75	300
		1L	50	175
6	6	2H	125	475
		2L	75	275
6	8	3H	150	625
		3L	100	400
6	18	6H	400	1500
		6L	200	725
8	10	4H	300	1100
		4L	175	625
8	12	7H	350	1300
		7L	250	1100
8	14	5H	400	1600
		5L	250	950
8	18	8H	600	2300
		8L	425	1600
8	24	UH	800	3200
8	36	WH	1200	5800
8	48	XH	1600	7700
10	30	MH	1200	5100
10	36	QH	1300	6350
10	42	RH	1500	7450
10	48	PH	1750	8550

DUCT SIZE		RF-11 SIZE	CFM RANGE	
MIN HEIGHT	MIN WIDTH		MIN	MAX
12	24	KH	1100	4600
		BH	1350	5300
12	30	BL	1200	4750
		TH	2100	10450
12	48	AH	1100	4300
		AL	975	3800
14	20	VH	2300	11300
		SH	2500	12350
14	40	CH	1450	5700
		CL	1200	4600
14	48	EH	2325	8815
		NH	4390	14560
16	22	FH	2650	10175
		GH	5165	17130
16	36	DH	3500	13000
		DL	2500	9000
16	48	OH	4400	21900

- Notes:
1. Duct Size shown is the MINIMUM duct size required for the RF-11 Size shown. Duct Size CAN be larger.
 2. CFM RANGE shown are with Flow Sensor ΔP signals of .04"-1.0" wg.

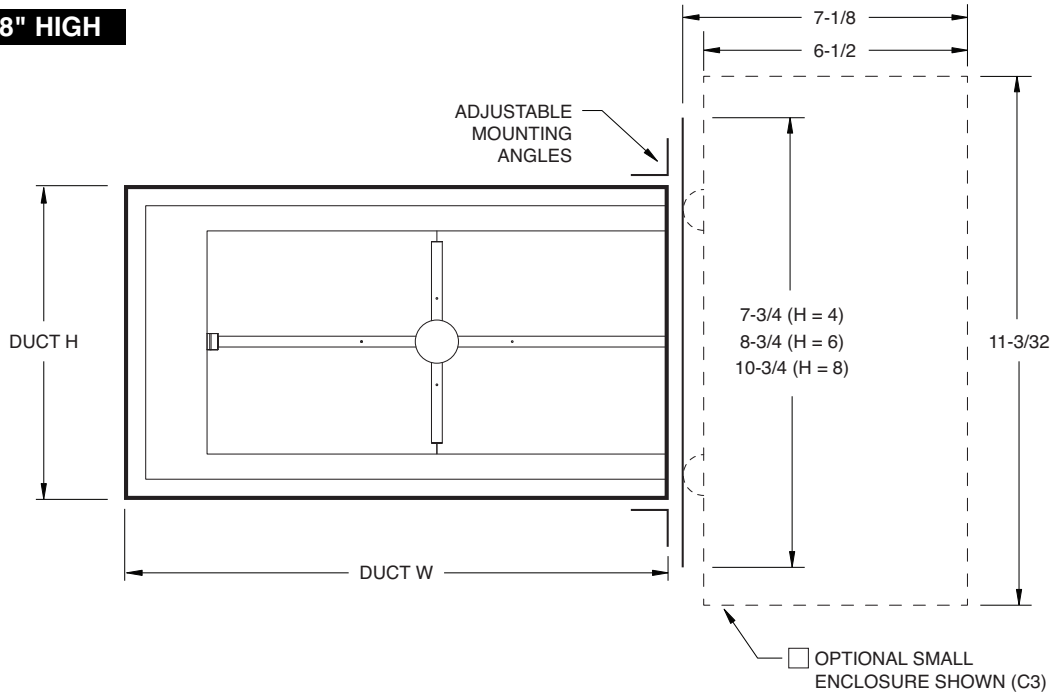
All dimensions are in inches.

JOB NAME:

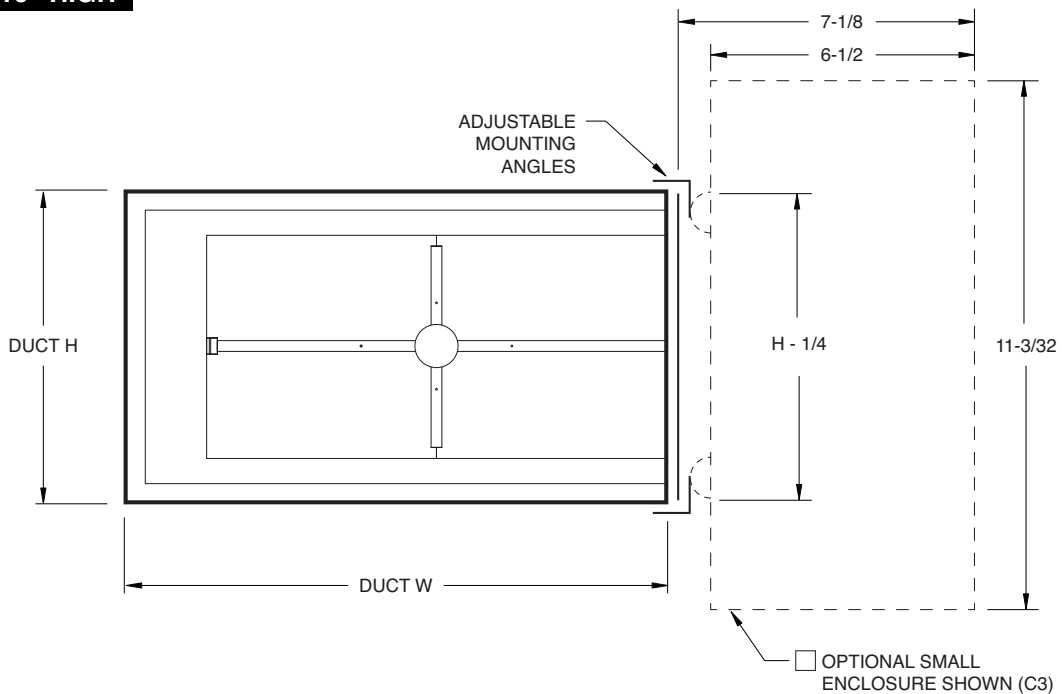
SUBMITTED BY:



DUCT H ≤ 8" HIGH



DUCT H ≥ 10" HIGH



All dimensions are in inches.

JOB NAME:

SUBMITTED BY: