

PRODUCT FEATURES

- Double Deflection Supply
- Registers include a factory attached, steel opposed blade volume control damper
- Single piece construction up to 48" x 48"

CONSTRUCTION DETAILS

- Material:**
Steel Construction
- Finish:**
- Arctic White (std)
 - Custom Color (opt)

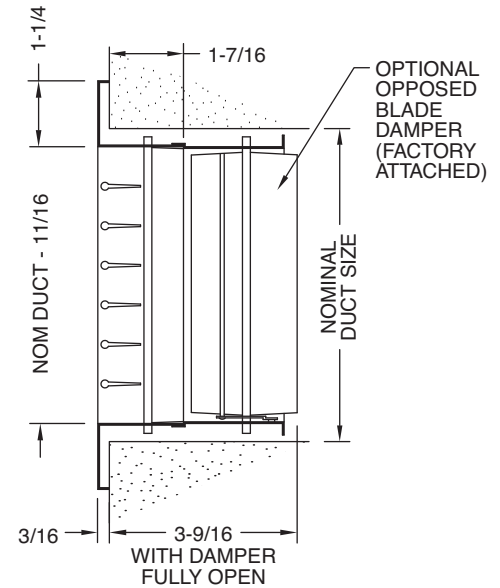
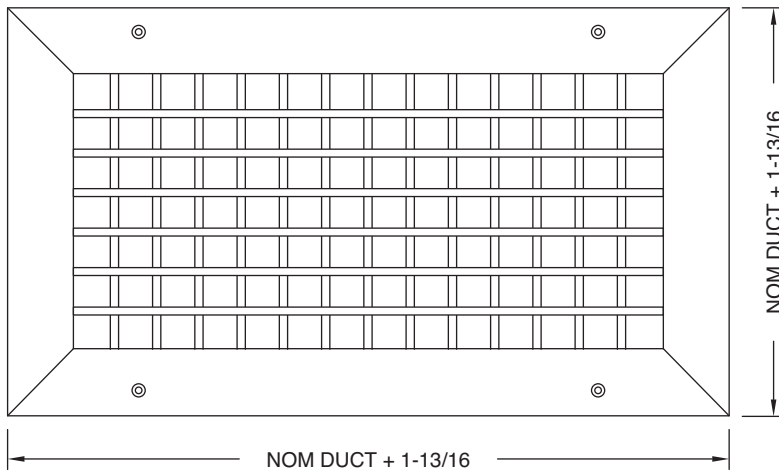
Models

- 20** 3/4" Blade Spacing
- 25** 1/2" Blade Spacing

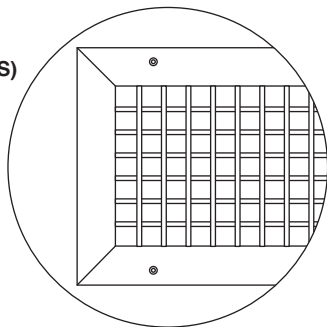
Accessories

- OB** Opposed Blade Damper
- RC** Removable Core Frame

LONG BLADES SHOWN (L)



SHORT BLADES (S)



All dimensions are in inches.

JOB NAME:

SUBMITTED BY: