



Anemostat® SUBMITTAL

1220 Watson Center Road • Carson, CA 90745-4206
 (310) 835-7500 • FAX (310) 835-0448
 air@anemostat.com • www.anemostat-hvac.com

CONCEALED FASTENING (D2)

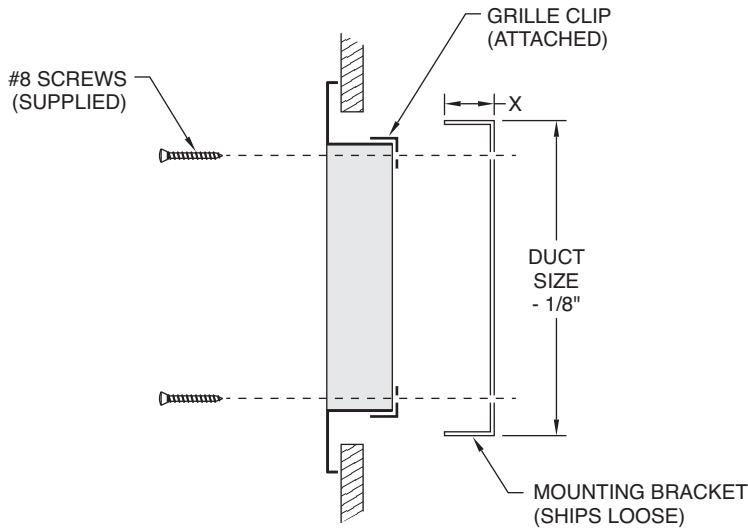
GRILLES & REGISTERS

PRODUCT FEATURES

- Eliminates visible border screws
- Mounting bracket ships loose (use with duct hem or screw attach to duct)
- Quantity and location varies with grille size and type

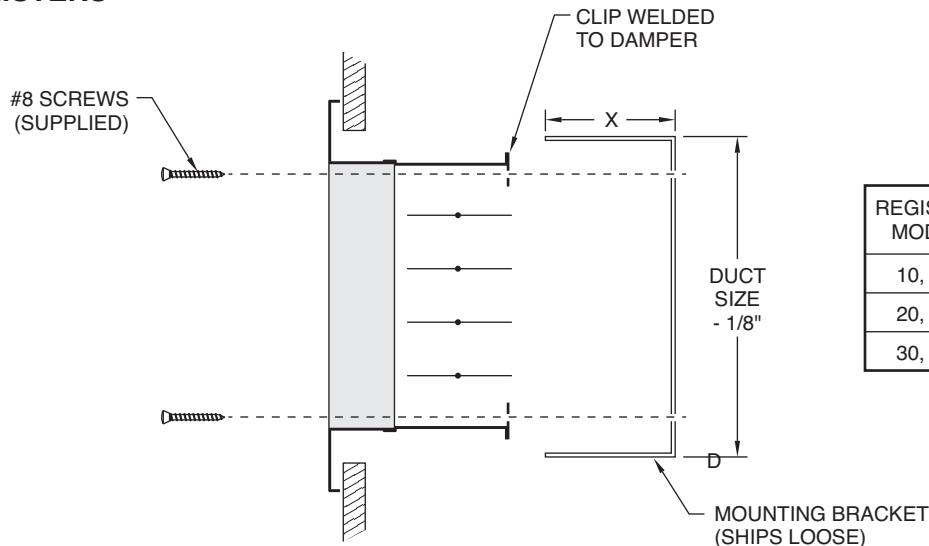
Note: Access thru the core is required to install. This feature not available with grilles with 1/2" louver spacing, and 45° deflection.

GRILLES



GRILLE MODEL	X	
	STEEL	ALUM.
10, 15	1-15/16"	2-5/8"
20, 25	1-15/16"	2-5/8"
30, 35	1-1/2"	1-15/16"

REGISTERS



REGISTER MODEL	X	
	STEEL	ALUM.
10, 15	3-11/16"	4-1/2"
20, 25	3-11/16"	4-1/2"
30, 35	3-3/8"	3-11/16"

All dimensions are in inches.

JOB NAME:

SUBMITTED BY: