

PRODUCT FEATURES

- Fixed Louver Return
- Registers include a factory attached, steel opposed blade volume control damper

CONSTRUCTION DETAILS

Material:

- Steel Construction
- All Aluminum Construction

Finish:

- Arctic White (std)
- Custom Color (opt)

Models

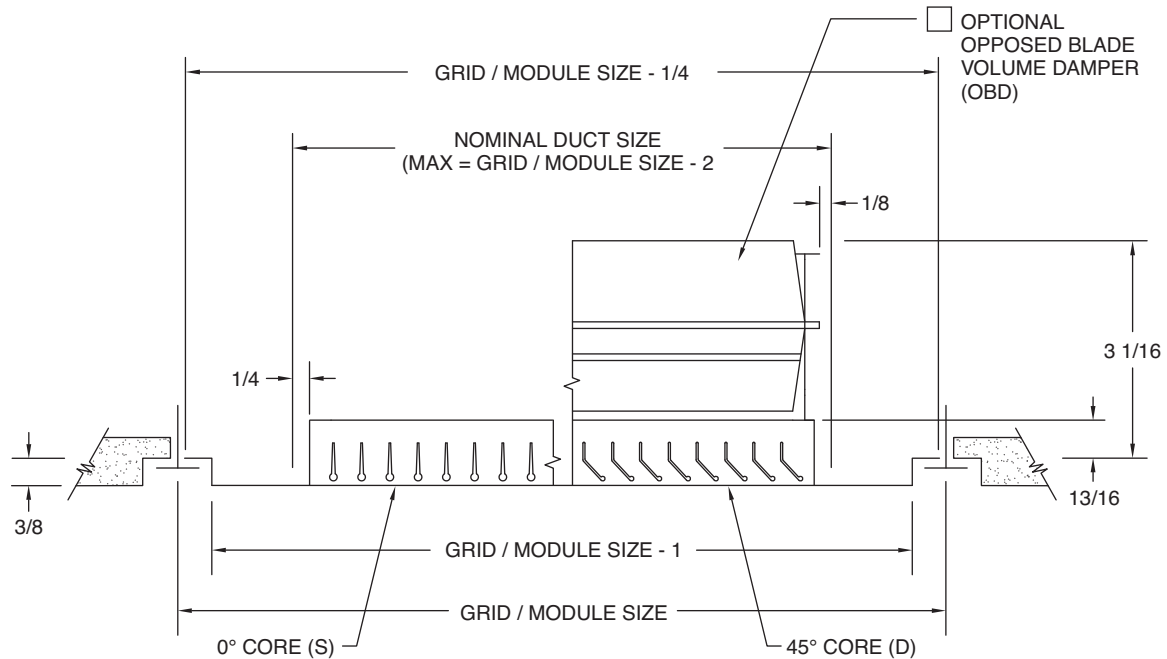
- 35-0-T** 0° Deflection
- 35-45-T** 45° Deflection

Extension Panel

- A** 06" x 30" Module
- B** 06" x 48" Module
- 11** 12" x 12" Module
- 12** 12" x 24" Module
- 22** 24" x 24" Module
- 24** 24" x 48" Module
- 30** 30" x 30" Module

Accessories

- OB** Opposed Blade Damper



| GRID / MODULE SIZE | MAX NECK SIZE |
|--------------------|---------------|
| 12 x 12 | 10 x 10 |
| 12 x 24 | 10 x 22 |
| 24 x 24 | 22 x 22 |
| 24 x 48 | 22 x 46 |
| 48 x 48 | 46 x 46 |

NOTE: Louvers are parallel to longer neck dimension as standard.

All dimensions are in inches.

JOB NAME:

SUBMITTED BY: