



Anemostat® SUBMITTAL

1220 Watson Center Road • Carson, CA 90745-4206
(310) 835-7500 • FAX (310) 835-0448
air@anemostat.com • www.anemostat.com

for
TechZone
Ceilings

6"

Model **TAZR6-50**
STRAIGHT LINE
ADJUSTABLE DIFFUSER
9/16" NARROW SLOT or
TEGULAR, 1/2" SLOT WIDTH

DIFFUSERS

PRODUCT FEATURES

- Designed for use with Armstrong 6" TechZone Ceiling Systems
- Standard lengths = 24", 30", 36", 48", 60", 72" (custom lengths available)
- 1/2" Slot Width, 1 to 3 slots (2 slot configuration shown)
- Includes plenum mounting yokes

CONSTRUCTION DETAILS

- Extruded aluminum, adjustable linear slot diffuser

Finish:

- Arctic White Border and Center Tees, Black Volume / Pattern Controllers
- Optional Anemostat Color
- Custom Color Match

MODELS

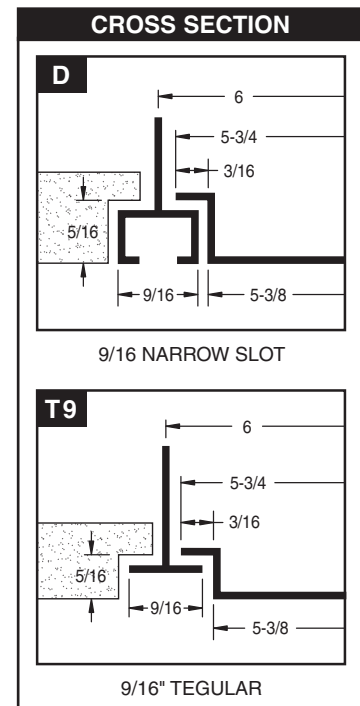
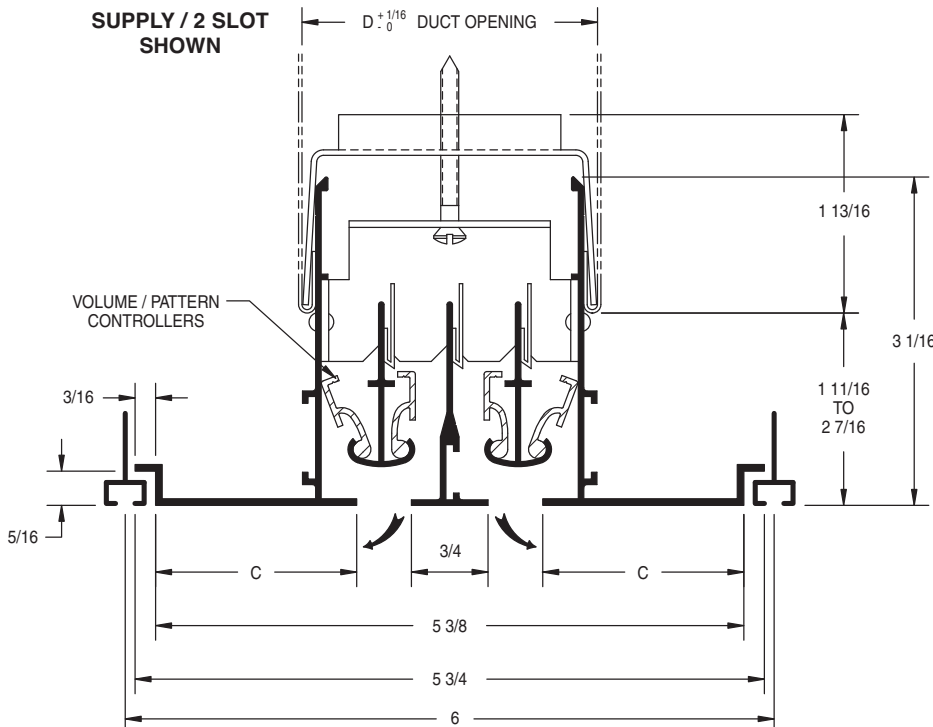
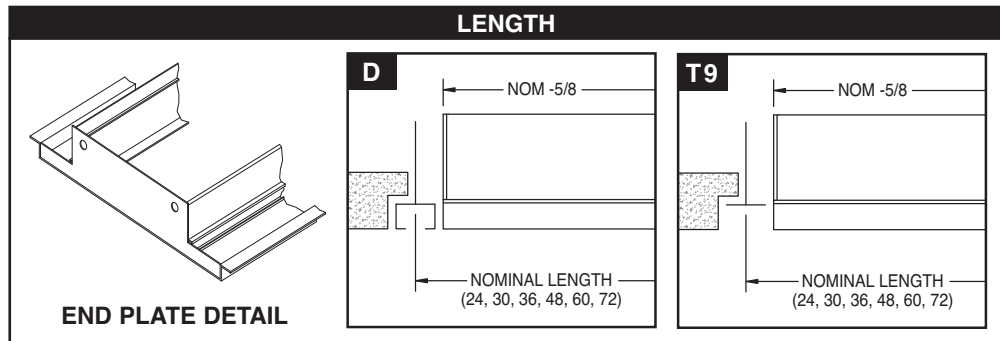
Supply Diffusers

- TAZR6-S-D** 9/16" Narrow Slot Ceiling
- TAZR6-S-T9** 9/16" Tegular Ceiling

Returns (No Volume / Pattern Controllers)

- TAZR6-R-D** 9/16" Narrow Slot Ceiling
- TAZR6-R-T9** 9/16" Tegular Ceiling

# OF SLOTS	C	D
1	2-7/16	1-9/16
2	1-13/16	2-13/16
3	1-3/16	4-1/16



Armstrong and TechZone are registered trademarks of Armstrong World Industries, Inc.

All dimensions are in inches.

JOB NAME:

SUBMITTED BY: