



Anemostat® SUBMITTAL

1220 Watson Center Road • Carson, CA 90745-4206
 (310) 835-7500 • FAX (310) 835-0448
 air@anemostat.com • www.anemostat.com

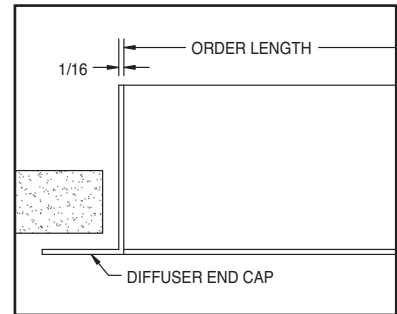
Model **SLAD/FREE-FLO/PRO-JET** LINEAR DIFFUSERS SIDEWALL OUTSIDE CORNER CONFIGURATION

O

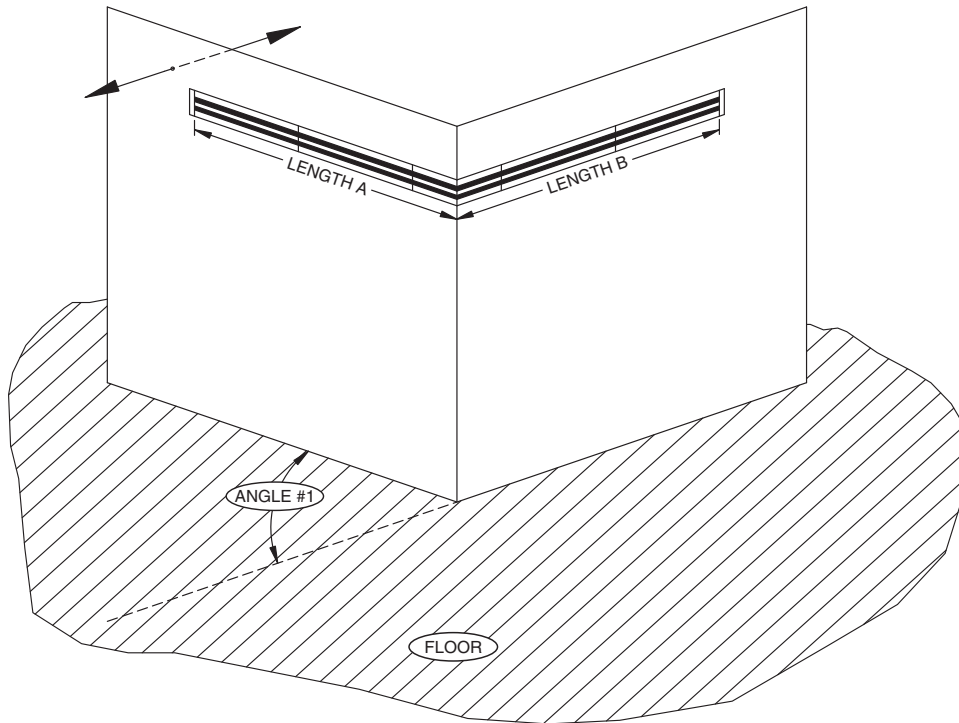
DIFFUSERS

PRODUCT FEATURES

- Refer to specific SLAD / Free-Flo / Pro-Jet model documentation for dimensional and cross-sectional details
- Individual linear sections are available up to 72" standard lengths
- Linear runs longer than 72" will utilize multiple sections with alignment strips to maintain a linear appearance.
- Diffusers are manufactured as Center or End sections based on placement of removable end caps
- Mitered Corners are fully-welded, inactive components
- Configuration O must include Order Lengths A, B, and Angle #1 as measured at the centerline of the diffuser. Angle limitations may apply – contact factory.
- Each removable end cap adds 1/16" to the overall diffuser neck length (see detail A).



DETAIL A



QUANTITY	TAG#	A	B	ANGLE #1

All dimensions are in inches.

JOB NAME:

SUBMITTED BY: