



Anemostat® SUBMITTAL

1220 Watson Center Road • Carson, CA 90745-4206
(310) 835-7500 • FAX (310) 835-0448
airhelp@anemostat.com • www.anemostat.com

for
TechZone
Ceilings
4"

Model **TAZR4-100**
STRAIGHT LINE
ADJUSTABLE DIFFUSER
15/16" TEGULAR
1" SLOT WIDTH

DIFFUSERS

PRODUCT FEATURES

- Designed for use with Armstrong 4" TechZone Ceiling Systems
- Standard lengths = 24", 30", 36", 48", 60", 72" (custom lengths available)
- 1" Slot Width, 1 slot
- Includes plenum mounting yokes

CONSTRUCTION DETAILS

- Extruded aluminum, adjustable linear slot diffuser

Finish:

- Arctic White Border and Center Tees, Black Volume / Pattern Controllers
- Optional Anemostat Color
- Custom Color Match

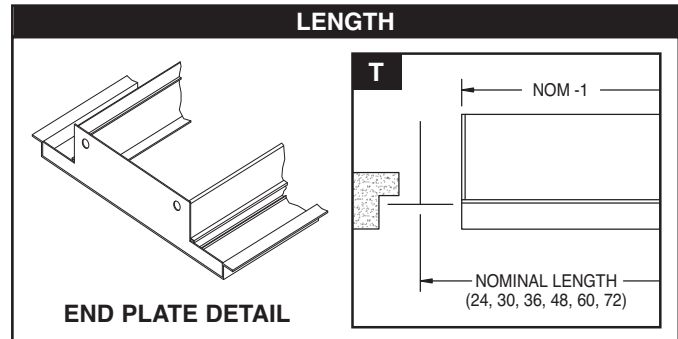
MODELS

Supply Diffusers

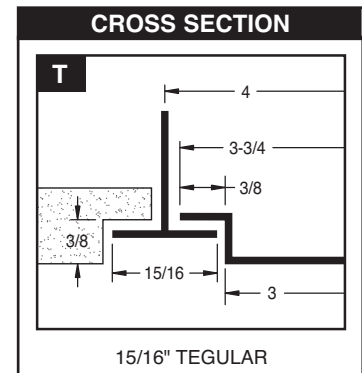
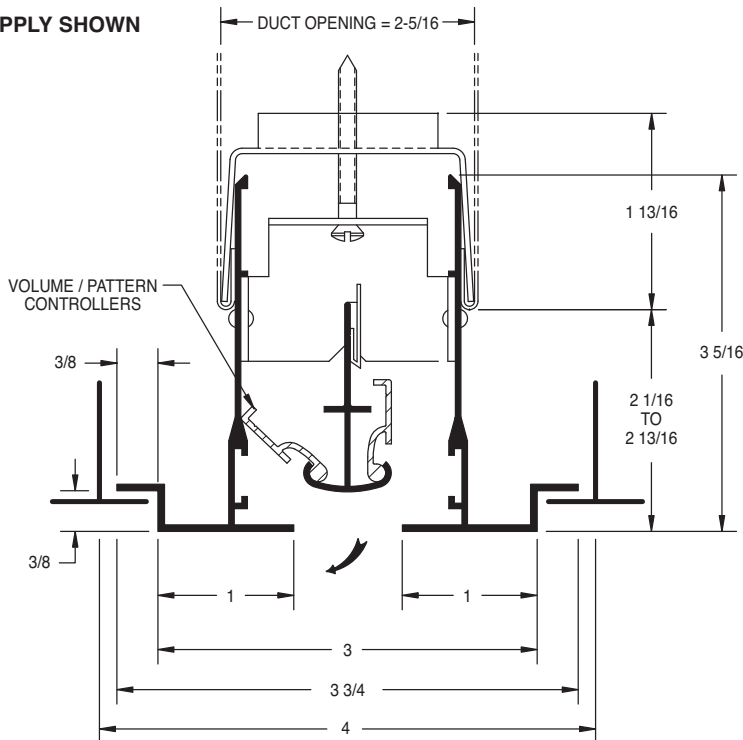
- TAZR4-S-T** 15/16" Tegular Ceiling

Returns (No Volume / Pattern Controllers)

- TAZR4-R-T** 15/16" Tegular Ceiling



SUPPLY SHOWN



Armstrong and TechZone are registered trademarks of Armstrong World Industries, Inc.

All dimensions are in inches.

JOB NAME:

SUBMITTED BY: