



Anemostat[®]

SUBMITTAL

1220 Watson Center Road • Carson, CA 90745-4206
(310) 835-7500 • FAX (310) 835-0448
air@anemostat.com • www.anemostat-hvac.com

for
TechZone
Ceilings

6"

Model **TAZR6-100-SP1**
ADJUSTABLE SLOT DIFFUSER
15/16" T-BAR & 1-1/8" DROP
1" SLOT WIDTH
2 SLOTS

DIFFUSERS

PRODUCT FEATURES

- Designed for use with Armstrong 6" TechZone Ceiling Systems
- Standard lengths = 24", 30", 36", 48", 60", 72" (custom lengths available)
- 1" Slot Width, 2 slots
- Includes plenum mounting yokes
- Return model excludes pattern / volume controllers

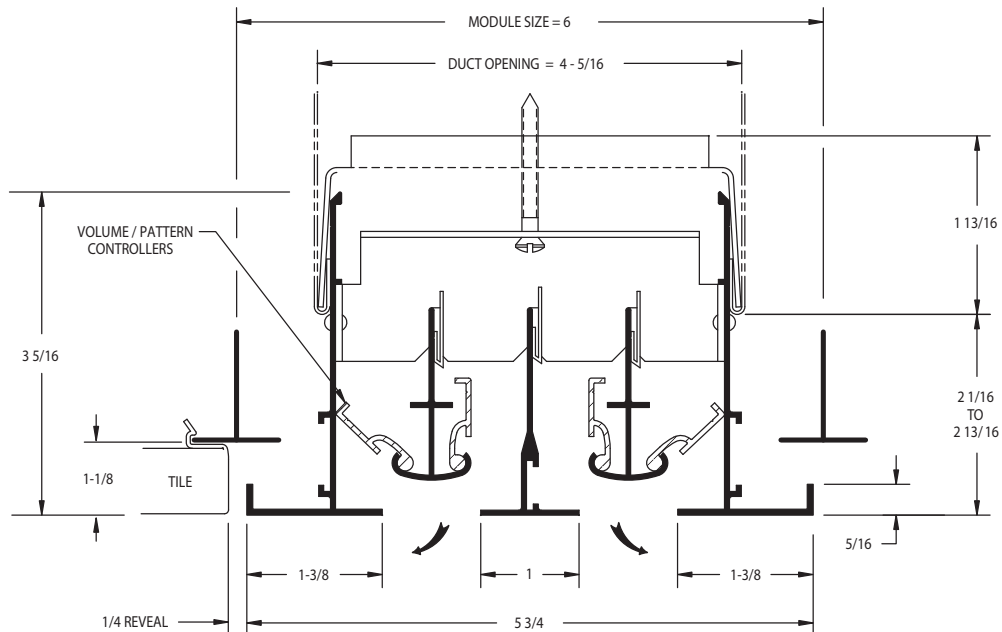
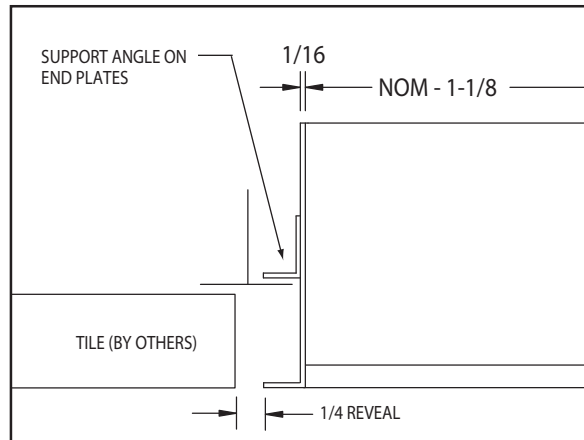
CONSTRUCTION DETAILS

- Extruded aluminum, adjustable linear slot diffuser

Finish:

- Arctic White Border and Center Tees, Black Volume / Pattern Controllers
- Custom Color Match

END PLATE DETAIL



Armstrong and TechZone are registered trademarks of Armstrong World Industries, Inc.

All dimensions are in inches.

JOB NAME:

SUBMITTED BY: