



Anemostat
AIR DISTRIBUTION

SUBMITTAL SHEET

www.anemostat-hvac.com



Model **UCO-20**
SPIRAL DUCT GRILLE
DOUBLE DEFLECTION
SUPPLY

UNIVERSAL FRAME

PRODUCT FEATURES

- Adjustable supply grille for installation into spiral duct
- Universal frame design allows grille to adapt to a range of duct diameters
- Independently adjustable front & rear louvers on 3/4" spacing
- Attached with #8 x 2" pan head screws (included)

CONSTRUCTION DETAILS

Material:

- Steel (ST) Aluminum (AL)
- 304 Stainless Steel (04)

Finish:

- Flat Gray (GP) (**Standard**)
- Arctic White (WH)
- Metallic Silver (SV)
- Custom Color _____

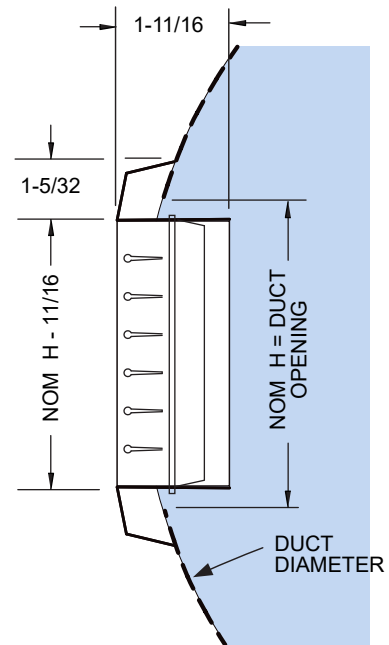
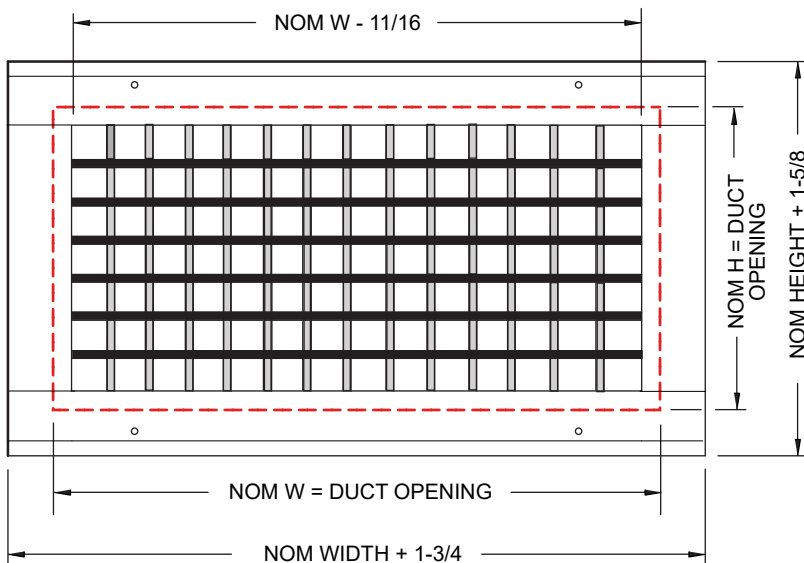
Models

- UCO-20-S** Short Front Louvers
- UCO-20-L** Long Front Louvers

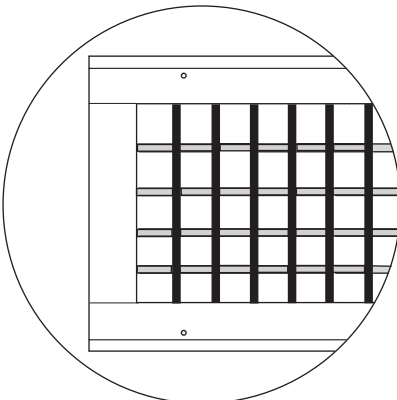
Accessories

- Air Scoop (must be factory installed)

LONG LOUVERS (L) SHOWN



SHORT LOUVERS (S)



MODEL UCO • SIZING CHART

Nom Grille Height H	Nom Grille Width W	Min Duct Diameter	Max Duct Diameter
03"	06" - 48"	06"	30"
04"	06" - 48"	08"	30"
06"	10" - 48"	12"	36"
08"	10" - 48"	20"	36"
10"	12" - 48"	30"	48"
12"	12" - 48"	40"	60"

All dimensions are in inches.

JOB NAME:

SUBMITTED BY:



SUBMITTAL SHEET

www.anemostat-hvac.com

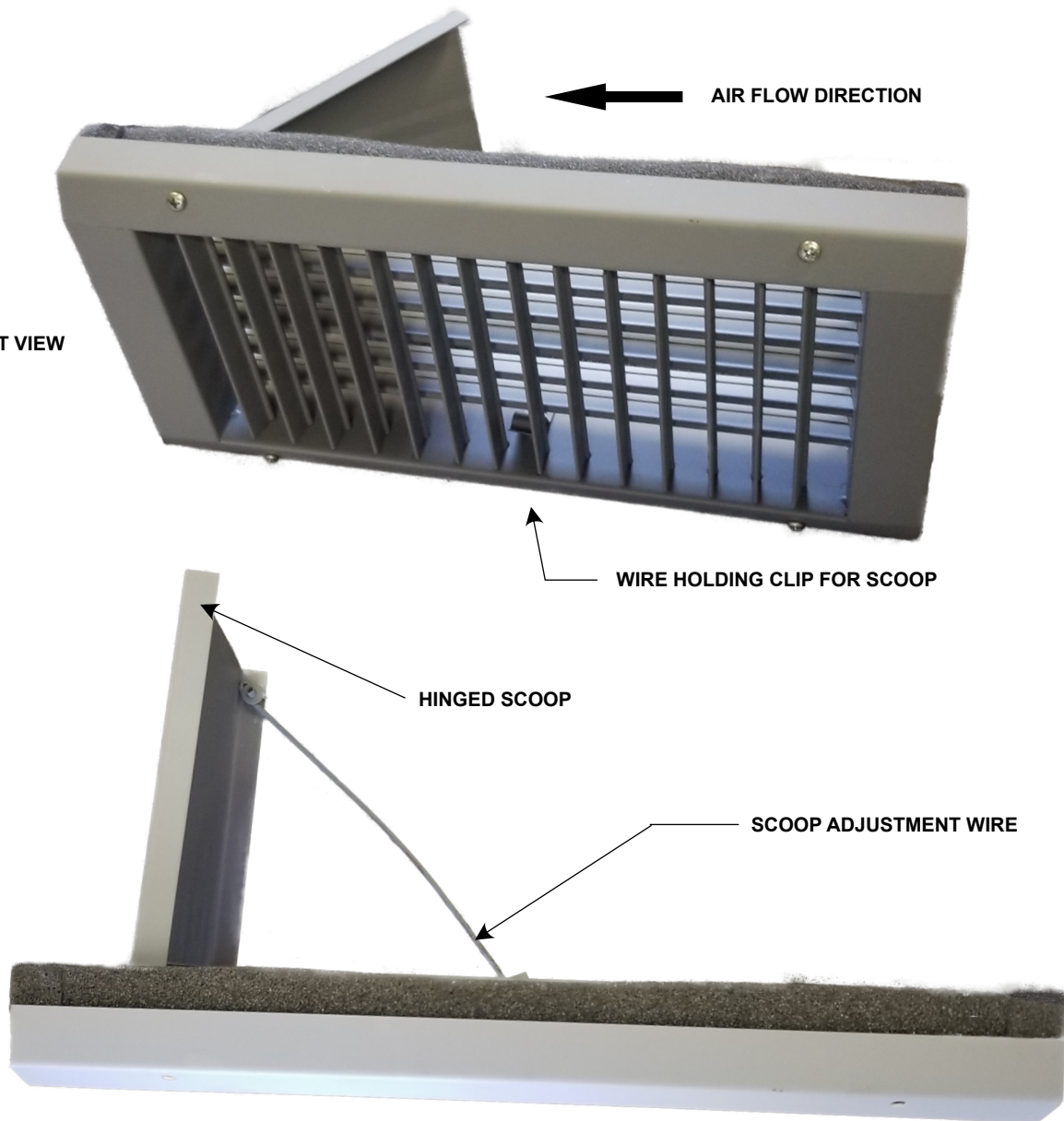
PRODUCT FEATURES

- Hinged air scoop for Model UCO Spiral Duct grille.
- Assists in balancing supply air in duct run with multiple grille outlets.
- Scoop length is Grille Width / 2 up to 18" maximum.
- Scoop is factory installed to grille frame.
- Scoop Adjustment Wire is shipped loose for field installation.

Accessory

Air Scoop (must be factory installed)

FRONT VIEW



TOP VIEW

All dimensions are in inches.

JOB NAME:

SUBMITTED BY: