

Anemostat®

SUBMITTAL

A MESTEK COMPANY

1220 Watson Center Road • Carson, CA 90745-4206
 (310) 835-7500 • FAX (310) 835-0448
 airhelp@anemostat.com • www.anemostat.com

Model **VD**

VOLUME CONTROL DAMPER

BUTTERFLY TYPE

FOR ROUND DUCT

ACCESSORIES

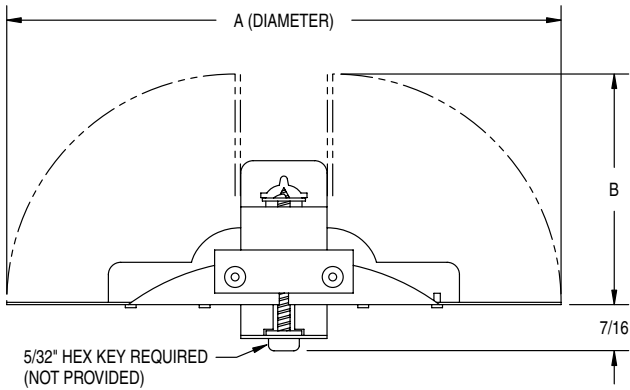
PRODUCT FEATURES

- Economical, butterfly control damper for use in round neck diffusers
- Manual adjustment of airflow for balancing air distribution systems (5/32" hex key is not included – ordered separately)
- Use in low pressure duct systems
- Field installed accessory (comes with U clips for neck mounting – see detail)
- Corrosion-resistant finish

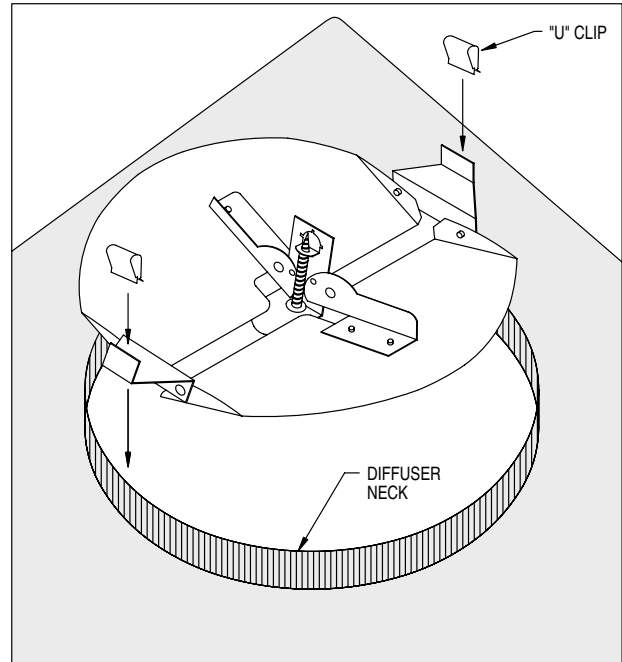
CONSTRUCTION DETAILS

Material:

- Steel
- Aluminum Blades / Steel Hardware
- 304 Stainless Steel Blades / Steel Hardware
- 316 Stainless Steel Blades / Steel Hardware



SIZE	A	B
4"	3-5/8	1-5/8
5"	4-5/8	2-1/8
6"	5-5/8	2-5/8
7"	6-5/8	3-1/8
8"	7-5/8	3-5/8
9"	8-5/8	4-1/8
10"	9-5/8	4-5/8
12"	11-5/8	5-5/8
14"	13-5/8	6-5/8
15"	14-5/8	7-1/8
16"	15-5/8	7-5/8
18"	17-5/8	8-5/8



TYPICAL INSTALLATION DETAIL

NOTE: Damper designed for balancing only, not a full shut-off device.

All dimensions are in inches.

JOB NAME:

SUBMITTED BY: