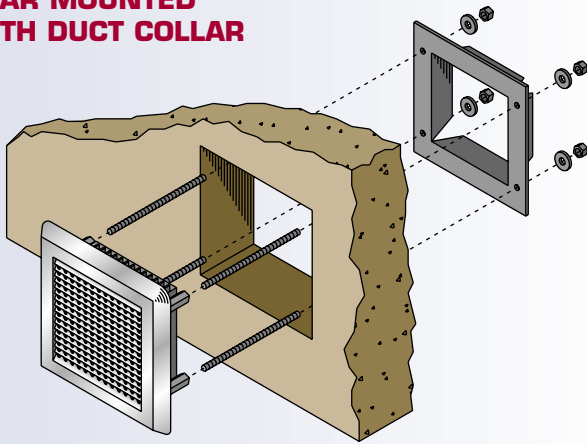


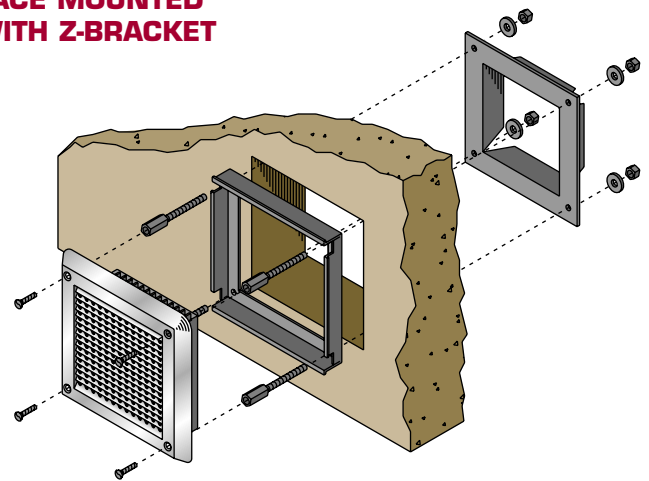
REAR MOUNTED WITH DUCT COLLAR



S-VENT® MODELS SSV22, SSV23, SSV26, SSV49 and SSV42

1. Put threaded rods into coupling nuts at rear of grille face.
2. Set grille into opening, ensuring that it is centered in position.
3. Position duct collar over the threaded rod and secure the washers and nuts.
4. As necessary, seal any gaps around the faceplate using an approved security sealant.

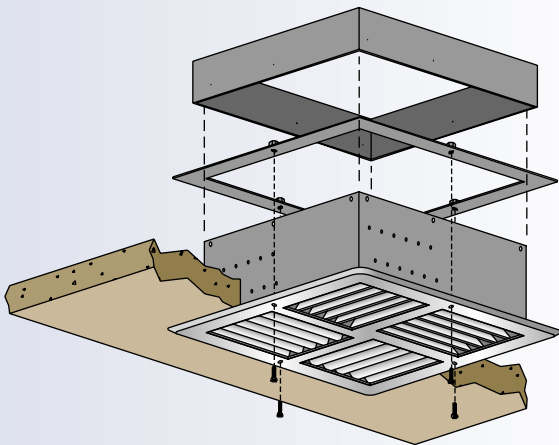
FACE MOUNTED WITH Z-BRACKET



S-VENT® MODELS SSV22, SSV23, SSV26 and SSV42

1. Insert Z-bracket into opening, ensuring it is properly oriented.
2. Position duct collar and then securely connect the Z-bracket and duct collar using the threaded rod with the coupling nuts.
3. After all interior finishing is complete, install the grilles using approved security screws (by others).
4. As necessary, seal any gaps around the faceplate using an approved security sealant.

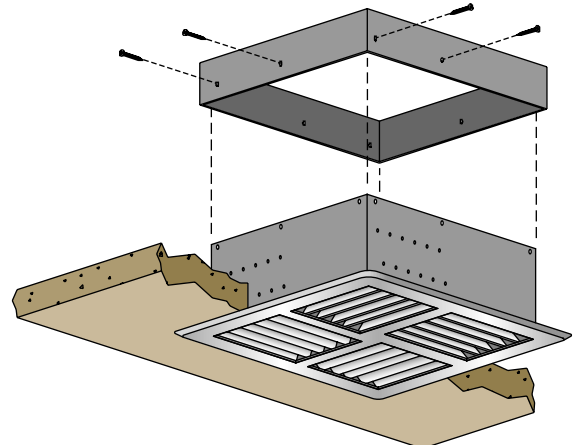
CEILING DIFFUSER - FACE MOUNTED with INSTALLATION PLATE



S-VENT® DIFFUSER MODEL SSV432

1. Drill all holes necessary for proper positioning of the installation plate.
2. Attach the installation plate to the ceiling by welding or using screws (by others).
3. Using approved security screws (by others), install the diffuser.
4. As necessary, seal any gaps around the faceplate using an approved security sealant.

CEILING DIFFUSER DUCT MOUNTED



S-VENT® DIFFUSER MODEL SSV432

1. Position the diffuser into hole in ceiling, ensuring it is firmly set at the faceplate edges.
2. Attach ductwork to diffuser, guarding against any screws penetrating the S-channel of the diffuser.
3. Firmly secure the ductwork to maintain a tight fit of the diffuser faceplate flange to the ceiling.
4. As necessary, seal any gaps around the faceplate using an approved security sealant.

IMPORTANT It is the specifier's responsibility to properly configure the HVAC system to meet the appropriate level of comfort, safety, security and detention